



PARTS CATALOGUE

WR250FW'07 (5UMG) SOUTH AFRICA



1F5UM-100E1

(2F5UM-100E1)

A2

WR250FW/WR250F
PARTS CATALOGUE
©2006 by Yamaha Motor Co., Ltd.
1st edition, September 2006
All rights reserved.
Any reprinting or unauthorized use
without the written permission of
Yamaha Motor Co., Ltd.
is expressly prohibited.
Printed in Japan.

A3

FOREWORD

This Parts Catalogue is related to the parts for the model(s) on the cover page. When you are ordering replacement parts, please refer to this Parts Catalogue and quote both part numbers and part names correctly.

1. Modifications or additions which have been made after the issue of the Parts Catalogue will be announced in the Parts News.

It is advisable that you make the necessary corrections to the Parts Catalogue according to the Parts News.

2. Abbreviations

The following abbreviations are used in this Parts Catalogue.

“UR” Use specified parts number.

“UN” Use as many as needed.

“AP” Alternate Parts

“LM” Locally Made (Parts need to be ordered locally)

“F#” Frame No. (Applicable machine No.)

“O/S” Over Size

3. The number of components for assembly

- Parts, which are to be supplied in an assembly, are listed with a dot (.) in front of the part name as shown below.
- The numeral appearing to the right of each component part indicates the quantity of parts for each assembly unit.

PART NO.	DESCRIPTION	Q'TY	REMARKS
2F5-83310-60	FRONT FLASHER LIGHT ASSY	2	
115-83311-60	.BULB (6V-18W)	1	

4. Applicable colours of graphics are represented in the “REMARKS” as shown below.

PART NO.	DESCRIPTION	Q'TY	REMARKS
2N4-24110-00-X5	FUEL TANK COMP.	2	MXR
3J1-24240-10	.GRAPHIC, FUEL TANK	1	FOR MXR

5. Note that the illustrations for reference in finding parts numbers are not to be used for assembling. When assembling, please use the applicable service manual.

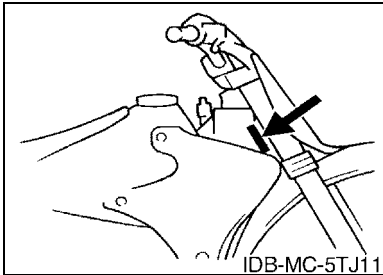
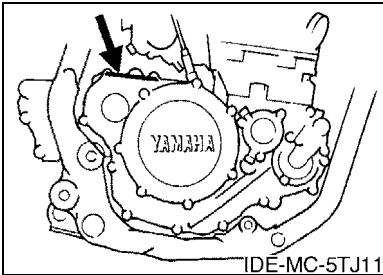
6. The asterisk (*) before a reference number indicates modified items after the first edition.

FOREWORD

7. Applicable Serial No.

Engine Serial No.

Frame Serial No.



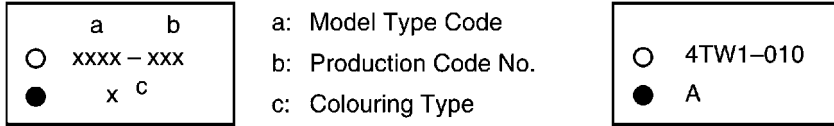
8. Applicable Colour Code (The (*) mark shows Model colour.)

Abbreviation	Colour Name	Colour Code
DPBSE(*)	DEEP PURPLISH BLUE SOLID E	0583

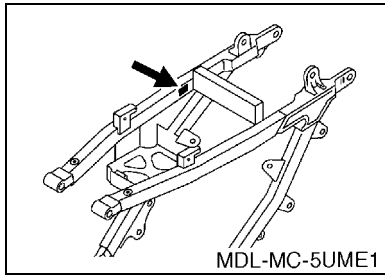
MODEL LABEL

(1) A label called "Model Label" is affixed in the location as indicated in (3) below. When using this parts catalogue, please be sure to cross-reference the "model code – production code No." in the catalogue with the "model code – production code No." indicated on the Model Label affixed onto the product concerned.

(2) "Model Label" Indication



(3) Model Label Affixing Location



(4) Colouring Information

Model Code	Colouring Type Code	Colour Code	Colour Name	Abbreviation
5UME	A	0583	DEEP PURPLISH BLUE SOLID E	DPBSE
5UMF	A	0583	DEEP PURPLISH BLUE SOLID E	DPBSE
5UMG	A	0583	DEEP PURPLISH BLUE SOLID E	DPBSE

(5) Model Code – Production Code Number of Model Listed in This Parts Catalogue

Model Code	Production Code No.	Country (destination)	Model Code	Production Code No.	Country (destination)
5UME	010	U.S.A.			
5UMF	010	EUROPE			
	020	UNITED KINGDOM			
5UMG	010	AUSTRALIA			
		NEW ZEALAND			
	020	CANADA			
	030	SOUTH AFRICA			

CONTENTS

ENGINE

CYLINDER	B2
CRANKSHAFT & PISTON	B4
VALVE	B5
CAMSHAFT & CHAIN	B7
WATER PUMP	B8
RADIATOR & HOSE	B9
OIL PUMP	B10
OIL CLEANER	B12
INTAKE	B13
CARBURETOR	B15
AIR INDUCTION SYSTEM	C5
EXHAUST	C6
CRANKCASE	C7
CRANKCASE COVER 1	C8
STARTER	C10
STARTER CLUTCH	C11
CLUTCH	C12
TRANSMISSION	C14
SHIFT CAM & FORK	D2
SHIFT SHAFT	D3

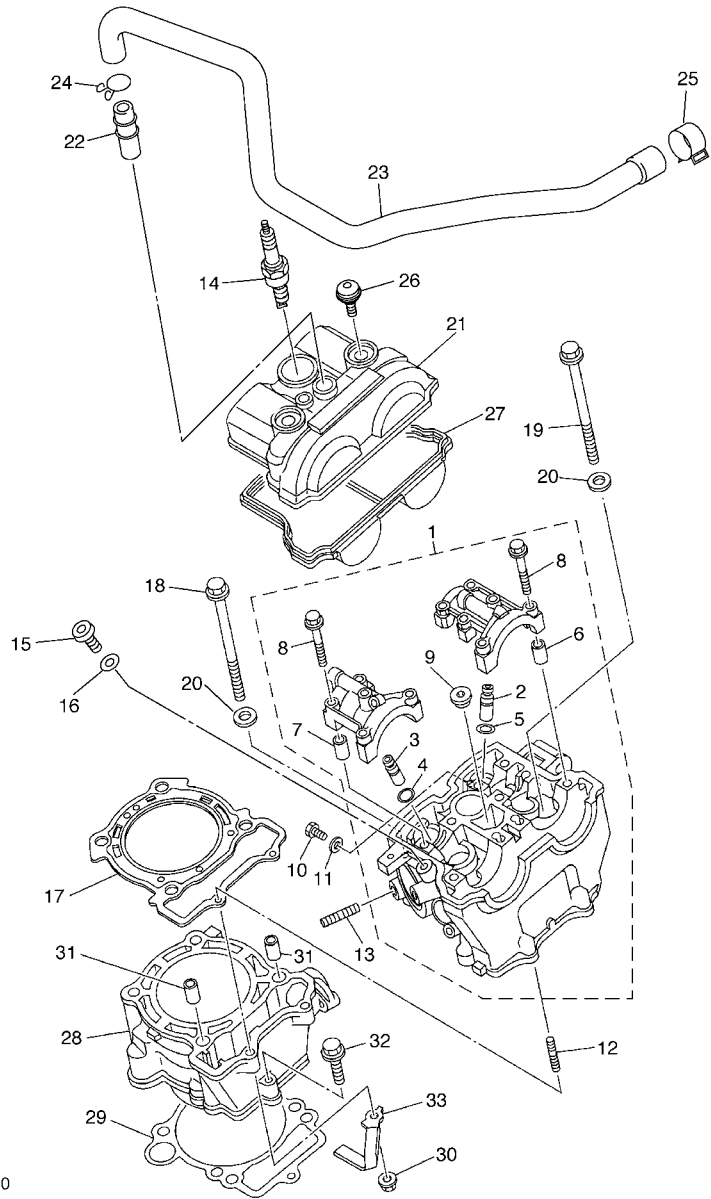
CHASSIS

FRAME	D4
FENDER	D6
SIDE COVER	D7
REAR ARM	D8
REAR SUSPENSION	D10
STEERING	D12
FRONT FORK	D13
FUEL TANK	D15
SEAT	E3
FRONT WHEEL	E4
FRONT BRAKE CALIPER	E5
REAR WHEEL	E6
REAR BRAKE CALIPER	E8
STEERING HANDLE & CABLE	E9
FRONT MASTER CYLINDER	E10
STAND & FOOTREST	E11
REAR MASTER CYLINDER	E12
GENERATOR	E13
STARTING MOTOR	E14

METER	E15
HEADLIGHT	F2
TAILLIGHT	F3
HANDLE SWITCH & LEVER	F4
ELECTRICAL 1	F5
ALTERNATE FOR CHASSIS	F7

INDEX

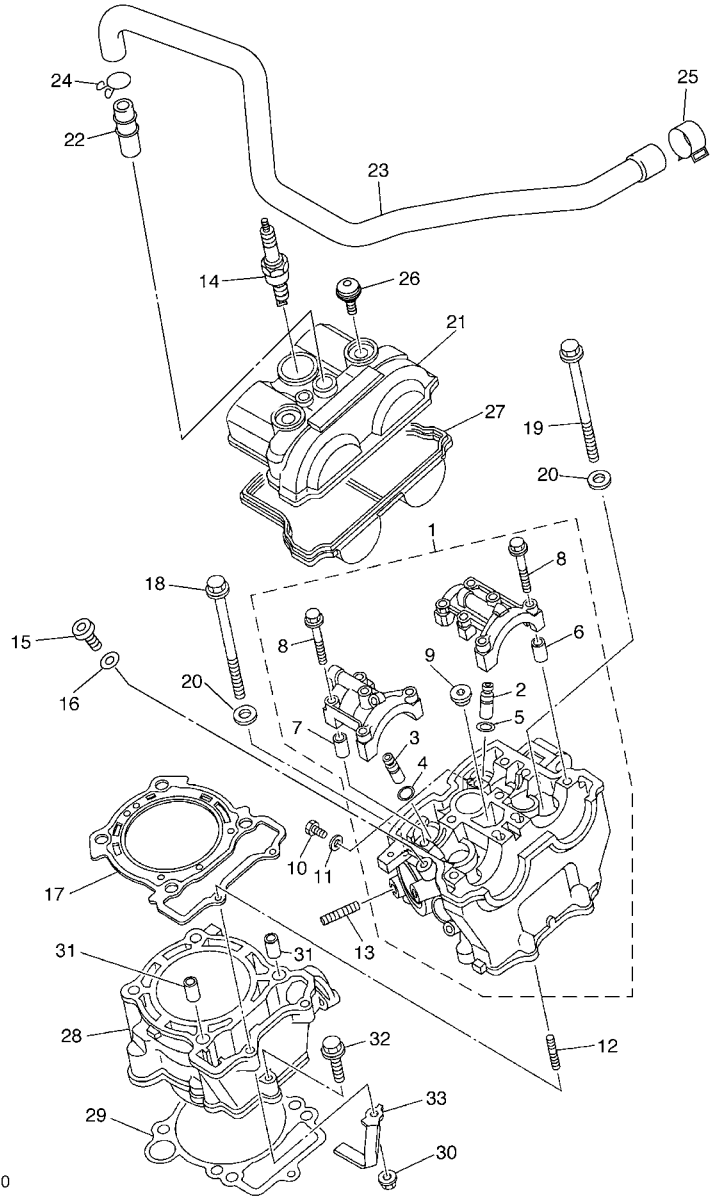
NUMERICAL INDEX	M1
-----------------------	----



5UM100-F010

FIG. 1 CYLINDER

REF. NO.	PART NO.	DESCRIPTION	5UM1	5UMF	5UMG	REMARKS
1	5UM-11101-10	CYLINDER HEAD ASSY	1	1	1	
2	5XC-11133-10	.GUIDE, VALVE 1	3	3	3	
3	5NL-11134-10	.GUIDE, VALVE 2	2	2	2	
4	93440-10153	.CIRCLIP	2	2	2	
5	93440-07149	.CIRCLIP	3	3	3	
6	91808-16023	.PIN, DOWEL	2	2	2	
7	91808-16023	.PIN, DOWEL	2	2	2	
8	90105-06027	.BOLT, FLANGE	10	10	10	
9	90340-12007	.PLUG, STRAIGHT SCREW	1	1	1	
10	95022-06010	BOLT, FLANGE	1	1	1	
11	90430-06014	GASKET	1	1	1	
12	90116-06038	BOLT, STUD	2	2	2	
13	95612-08620	BOLT, STUD	2	2	2	
14	94701-00410	PLUG, SPARK (NGK R CR9E)	1	1	1	STD
	94701-00411	PLUG, SPARK (NGK R CR8E)	1	1	1	AP
15	90340-12007	PLUG, STRAIGHT SCREW	1	1	1	
16	90201-12790	WASHER, PLATE	1	1	1	
17	5NL-11181-00	GASKET, CYLINDER HEAD 1	1	1	1	
18	90105-09004	BOLT, FLANGE	2	2	2	
19	90105-09002	BOLT, FLANGE	2	2	2	
20	90201-096J9	WASHER, PLATE	4	4	4	
21	5NL-11191-20	COVER, CYLINDER HEAD 1	1	1	1	
22	371-11167-01	PIPE, BREATHER 2	1	1	1	
23	5UM-11166-00	PIPE, BREATHER 1	1	1	1	
24	90467-140A4	CLIP	1	1	1	
25	90467-17089	CLIP	1	1	1	
26	5UM-1119E-00	BOLT, COVER HEAD	2	2	2	



5UME100-F010

FIG. 1 CYLINDER

REF. NO.	PART NO.	DESCRIPTION	5UME	5UMF	5UMG	REMARKS
27	5NL-11193-00	GASKET, HEAD COVER 1	1	1	1	
28	5XC-11311-10	CYLINDER 1	1	1	1	
29	5NL-11351-00	GASKET, CYLINDER	1	1	1	
30	95702-06500	NUT, FLANGE	2	2	2	
31	93612-16254	PIN, DOWEL	2	2	2	
32	95022-06035	BOLT, FLANGE	1	1	1	
33	5UM-11387-00	CLAMP, HOSE 1	1	1	1	



5UME100-F020

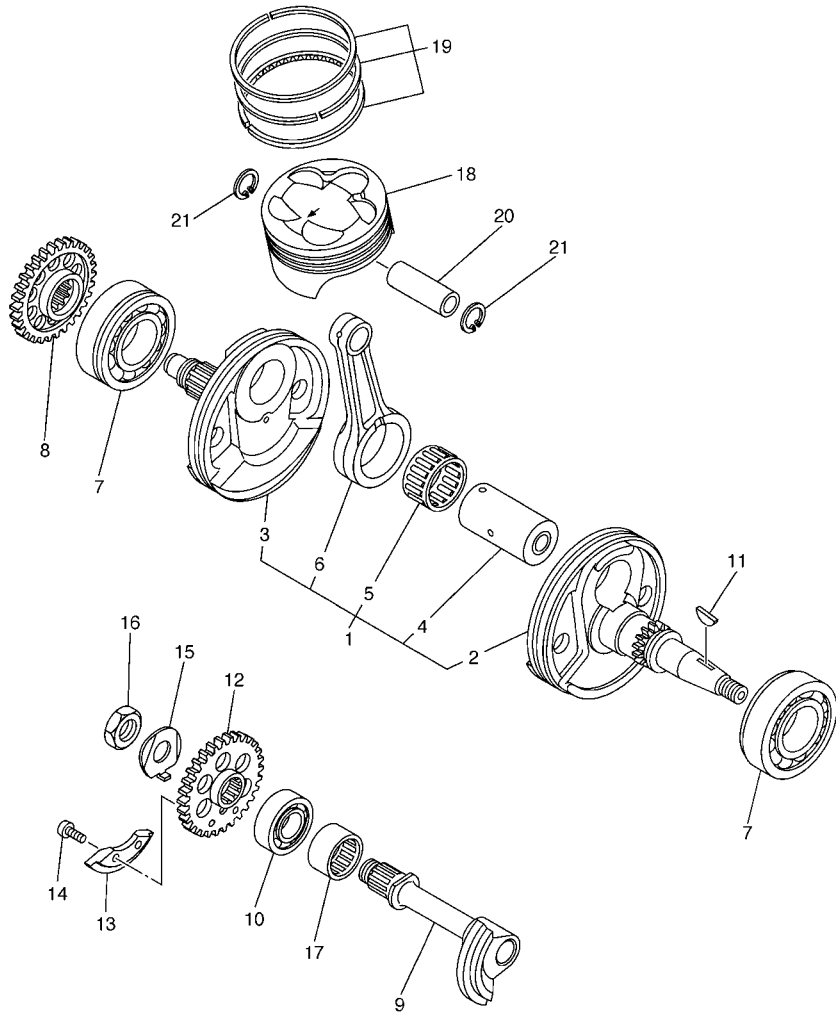
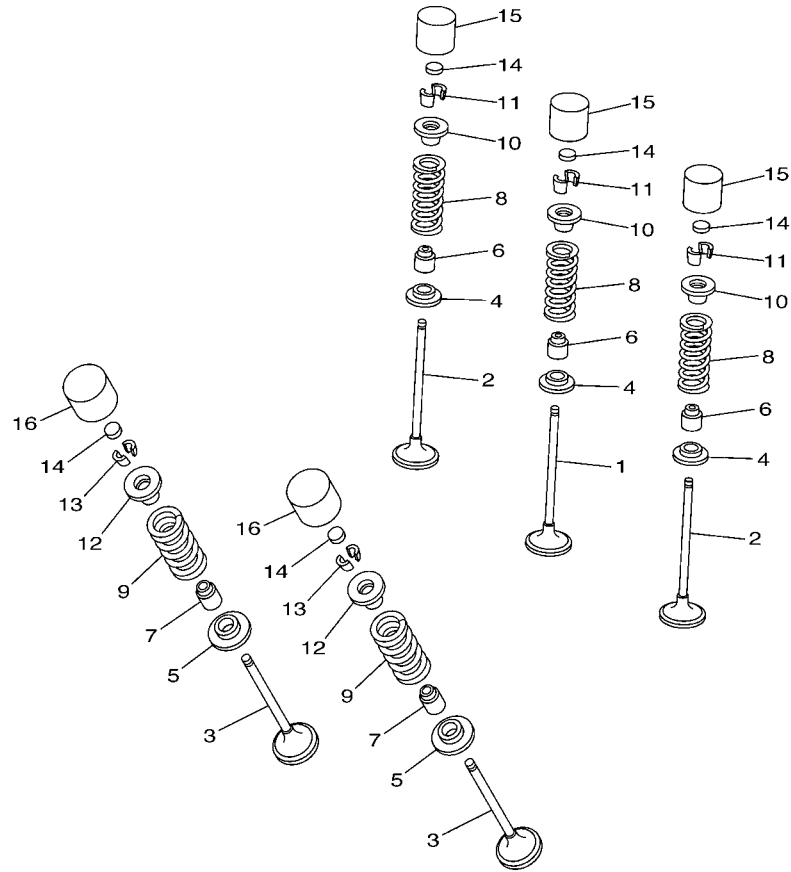


FIG. 2 CRANKSHAFT & PISTON

REF. NO.	PART NO.	DESCRIPTION	SUM E	SUM F	SUM G	REMARKS
1	5UM-11400-30	CRANKSHAFT ASSY	1	1	1	
2	5UM-11412-20	.CRANK 1	1	1	1	
3	5UL-11422-10	.CRANK 2	1	1	1	
4	5XC-11681-00	.PIN, CRANK 1	1	1	1	
5	93310-63238	.BEARING	1	1	1	
6	5XC-11651-00	.ROD, CONNECTING	1	1	1	
7	93306-20648	BEARING	2	2	2	
8	5NL-11536-00	GEAR, DRIVE	1	1	1	
9	5NL-11455-00	SHAFT 1	1	1	1	
10	93306-20335	BEARING	1	1	1	
11	90280-03006	KEY, WOODRUFF	1	1	1	
12	5NL-11531-00	GEAR, BALANCE WEIGHT	1	1	1	
13	5NL-11454-00	WEIGHT 1	1	1	1	
14	90149-06084	SCREW	2	2	2	
15	90215-14204	WASHER, LOCK	1	1	1	
16	90170-14171	NUT	1	1	1	
17	93311-32261	BEARING	1	1	1	
18	5NL-11631-20	PISTON (STD)	1	1	1	
19	5NL-11603-00	PISTON RING SET (STD)	1	1	1	
20	5NL-11633-00	PIN, PISTON	1	1	1	
21	93420-16086	CIRCLIP	2	2	2	



5NL1100-1030

FIG. 3 VALVE

REF. NO.	PART NO.	DESCRIPTION	SUM E	SUM F	SUM G	REMARKS
1	5NL-12111-20	VALVE, INTAKE	1	1	1	
2	5NL-12112-20	VALVE, INTAKE 2	2	2	2	
3	5NL-12121-10	VALVE, EXHAUST	2	2	2	
4	5NL-12116-00	SEAT, VALVE SPRING	3	3	3	
5	3GM-12126-00	SEAT, VALVE SPRING 2	2	2	2	
6	4TV-12119-00	SEAL, VALVE STEM	3	3	3	
7	4SV-12119-00	SEAL, VALVE STEM	2	2	2	
8	5UM-12113-00	SPRING, VALVE INNER	3	3	3	
9	5NL-12114-00	SPRING, VALVE OUTER	2	2	2	
10	1HX-12117-00	RETAINER, VALVE SPRING	3	3	3	
11	1HX-12118-00	COTTER, VALVE	6	6	6	
12	1WG-12117-00	RETAINER, VALVE SPRING	2	2	2	
13	1WG-12118-00	COTTER, VALVE	4	4	4	
14	1HX-12168-00	PAD, ADJUSTING 2 (1.20)	5	5	5	UR
	1HX-12168-20	PAD, ADJUSTING 2 (1.25)	5	5	5	UR
	1HX-12168-40	PAD, ADJUSTING 2 (1.30)	5	5	5	UR
	1HX-12168-60	PAD, ADJUSTING 2 (1.35)	5	5	5	UR
	1HX-12168-80	PAD, ADJUSTING 2 (1.40)	5	5	5	UR
	1HX-12168-A0	PAD, ADJUSTING 2 (1.45)	5	5	5	UR
	1HX-12168-F0	PAD, ADJUSTING 2 (1.50)	5	5	5	UR
	1HX-12168-H1	PAD, ADJUSTING 2 (1.55)	5	5	5	UR
	1HX-12168-K1	PAD, ADJUSTING 2 (1.60)	5	5	5	UR
	1HX-12168-M1	PAD, ADJUSTING 2 (1.65)	5	5	5	UR
	1HX-12168-R1	PAD, ADJUSTING 2 (1.70)	5	5	5	UR
	1HX-12168-U1	PAD, ADJUSTING 2 (1.75)	5	5	5	UR
	1HX-12168-W1	PAD, ADJUSTING 2 (1.80)	5	5	5	UR
	1HX-12168-Y1	PAD, ADJUSTING 2 (1.85)	5	5	5	UR

B5

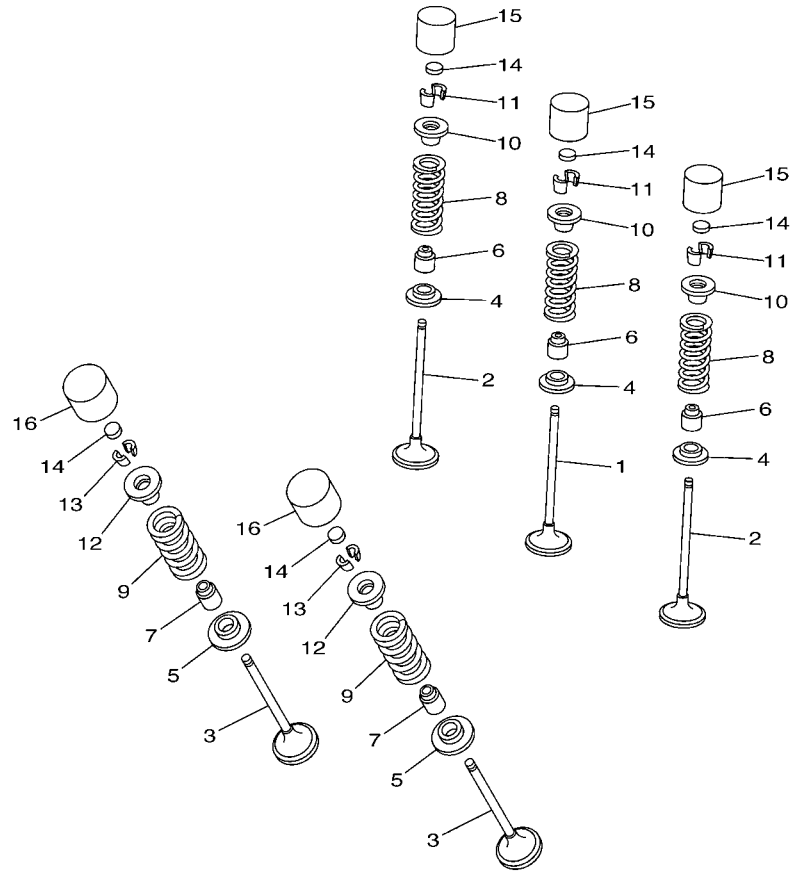


FIG. 3 VALVE

REF. NO.	PART NO.	DESCRIPTION	SUME	SUMF	SUMG	REMARKS
14	1HX-12169-11	PAD, ADJUSTING 2 (1.90)	5	5	5	UR
	1HX-12169-31	PAD, ADJUSTING 2 (1.95)	5	5	5	UR
	1HX-12169-50	PAD, ADJUSTING 2 (2.00)	5	5	5	UR
	1HX-12169-70	PAD, ADJUSTING 2 (2.05)	5	5	5	UR
	1HX-12169-90	PAD, ADJUSTING 2 (2.10)	5	5	5	UR
	1HX-12169-E0	PAD, ADJUSTING 2 (2.15)	5	5	5	UR
	1HX-12169-G0	PAD, ADJUSTING 2 (2.20)	5	5	5	UR
	1HX-12169-J0	PAD, ADJUSTING 2 (2.25)	5	5	5	UR
	1HX-12169-L0	PAD, ADJUSTING 2 (2.30)	5	5	5	UR
	1HX-12169-N0	PAD, ADJUSTING 2 (2.35)	5	5	5	UR
	1HX-12169-T0	PAD, ADJUSTING 2 (2.40)	5	5	5	UR
15	3LN-12153-10	LIFTER, VALVE	3	3	3	YELLOW
16	3FV-12153-10	LIFTER, VALVE	2	2	2	YELLOW



5NL1100-1030

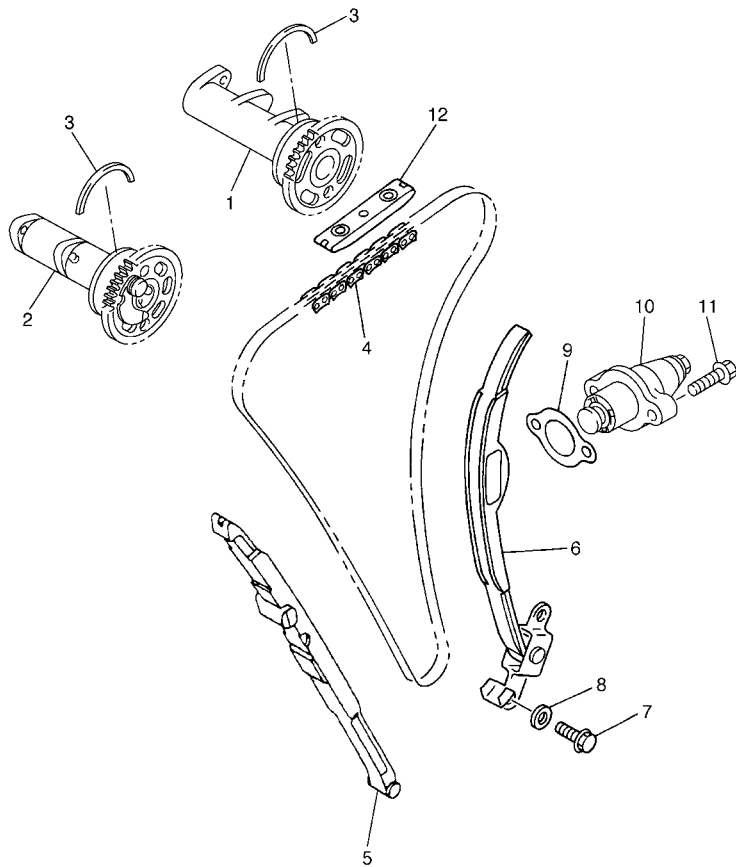
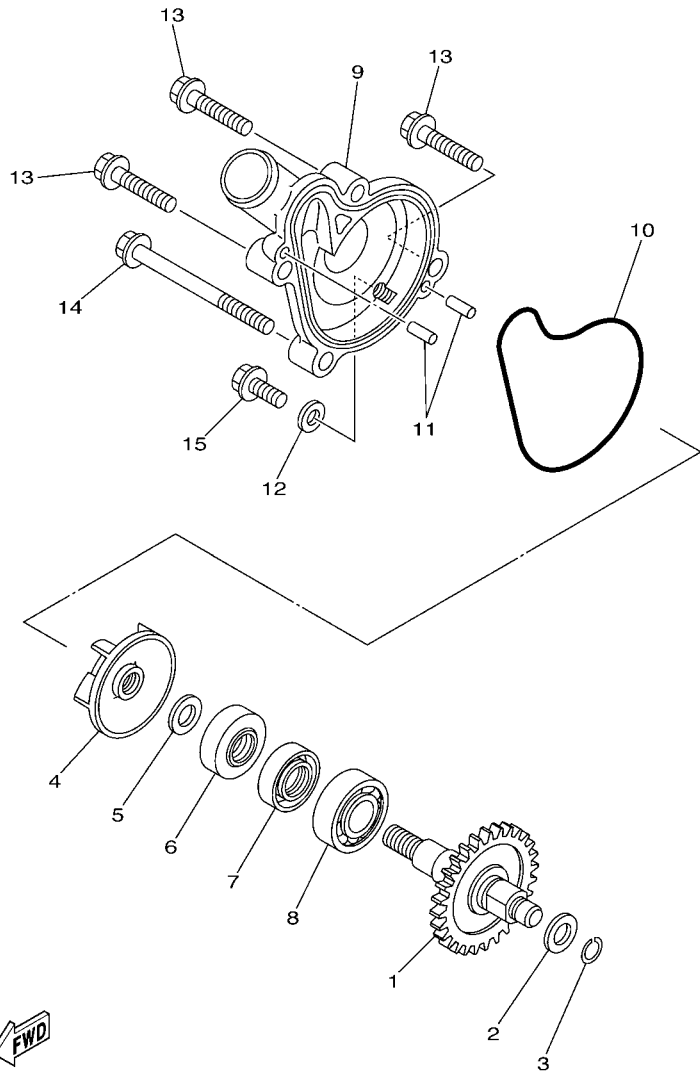


FIG. 4 CAMSHAFT & CHAIN

REF. NO.	PART NO.	DESCRIPTION	SUM E	SUM F	SUM G	REMARKS
1	5UM-12170-10	CAMSHAFT ASSY 1	1	1	1	
2	5UM-12180-20	CAMSHAFT ASSY 2	1	1	1	
3	93440-41178	CIRCLIP	2	2	2	
4	94591-53114	CHAIN	1	1	1	
5	5NL-12251-10	DAMPER, CHAIN 1	1	1	1	
6	5NL-12252-00	DAMPER, CHAIN 2	1	1	1	
7	97022-06016	BOLT	2	2	2	
8	92902-06600	WASHER, PLATE	2	2	2	
9	4FM-12213-00	GASKET, TENSIONER CASE	1	1	1	
10	5TA-12210-20	TENSIONER ASSY, CAM CHAIN	1	1	1	
11	95022-06025	BOLT, FLANGE	2	2	2	
12	5BE-12241-00	GUIDE, STOPPER 2	1	1	1	



5UMB100-E040



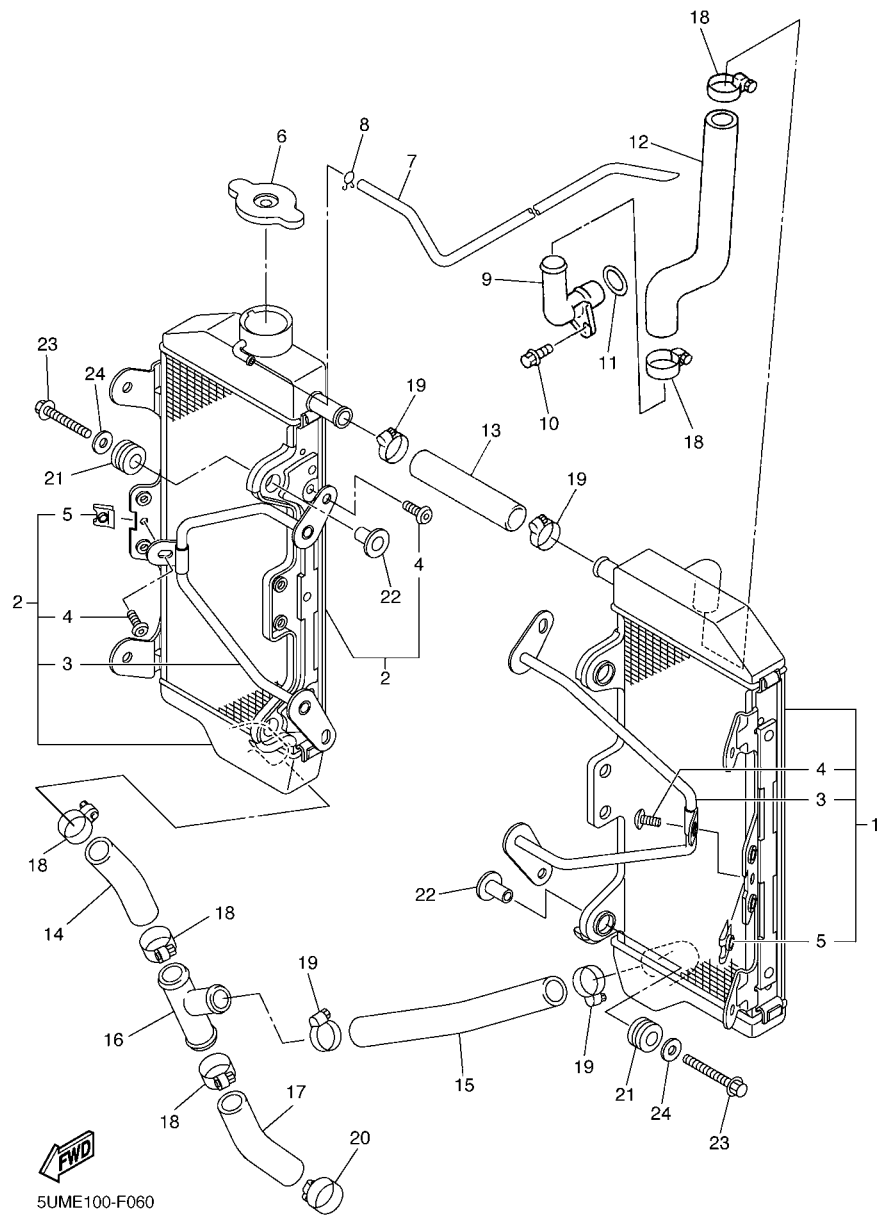
5NL1100-1050

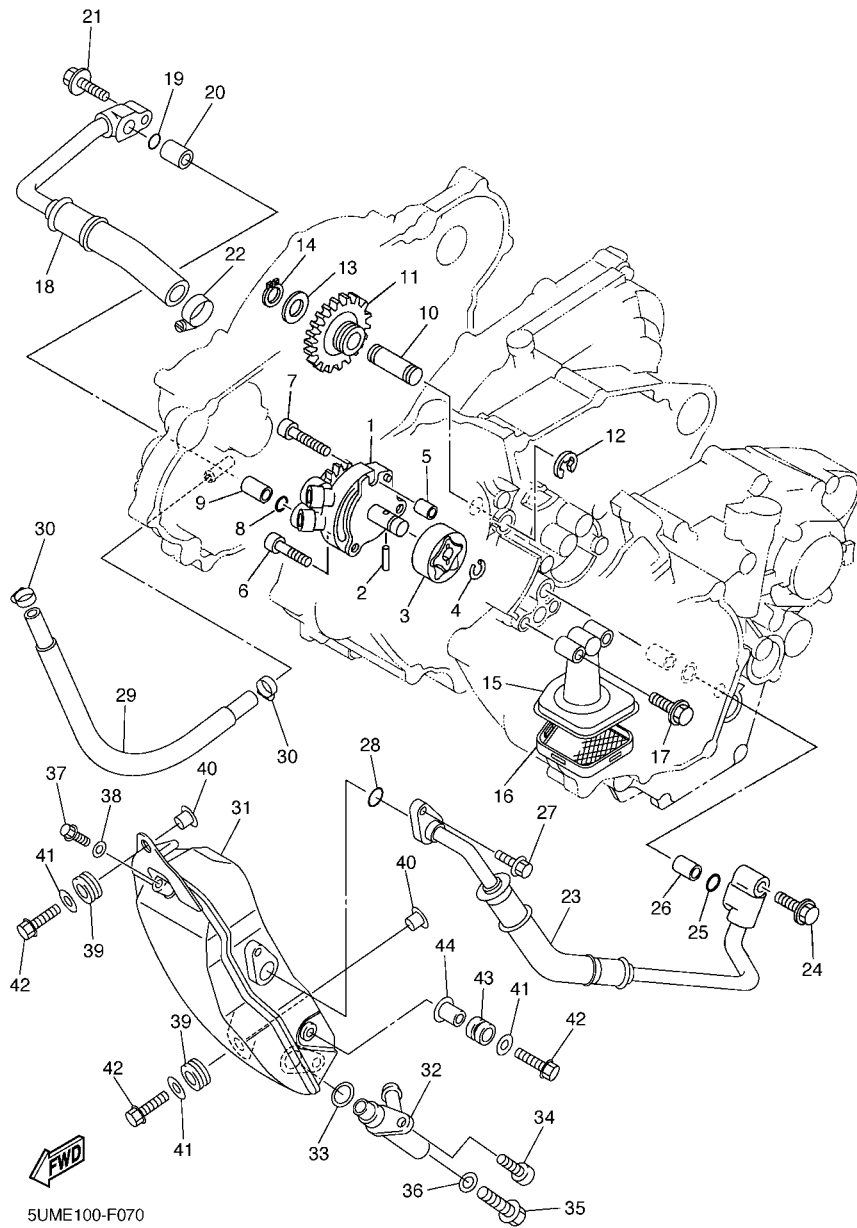
FIG. 5 WATER PUMP

REF. NO.	PART NO.	DESCRIPTION	SUM E	SUM F	SUM G	REMARKS
1	5XC-12459-00	GEAR, IMPELLER SHAFT	1	1	1	
2	90201-08512	WASHER, PLATE	1	1	1	
3	93440-07182	CIRCLIP	1	1	1	
4	5DH-12451-00	IMPELLER, WATER PUMP	1	1	1	
5	90201-08512	WASHER, PLATE	1	1	1	
6	93109-11073	OIL SEAL	1	1	1	
7	93102-12106	OIL SEAL (SD 12-22-5 HS)	1	1	1	
8	93306-00105	BEARING	1	1	1	
9	5NL-12422-10	COVER, HOUSING	1	1	1	
10	5NL-12439-00	O-RING	1	1	1	
11	93604-10011	PIN, DOWEL	2	2	2	
12	90430-06014	GASKET	1	1	1	
13	95022-06025	BOLT, FLANGE	3	3	3	
14	95022-06065	BOLT, FLANGE	1	1	1	
15	95022-06012	BOLT, FLANGE	1	1	1	

FIG. 6 RADIATOR & HOSE

REF. NO.	PART NO.	DESCRIPTION	SUM E	SUM F	SUM G	REMARKS
1	5UM-1240A-E0	RADIATOR ASSY	1	1	1	
2	5UM-12461-E0	RADIATOR ASSY	1	1	1	
3	2S2-12464-70	.STAY, RADIATOR	2	2	2	
4	92012-06010	.BOLT, BUTTON HEAD	6	6	6	
5	90183-060A6	.NUT, SPRING	2	2	2	
6	22W-12462-00	CAP, RADIATOR	1	1	1	
7	91A20-05140	TUBE, FLEXIBLE VINYL	1	1	1	
8	90467-090A2	CLIP	1	1	1	
9	5XC-12481-90	PIPE 1	1	1	1	
10	91312-06012	BOLT	1	1	1	
11	93210-15414	O-RING	1	1	1	
12	5XC-12576-90	HOSE 1	1	1	1	
13	1C3-12482-00	PIPE 2	1	1	1	
14	5XC-12578-90	HOSE 3	1	1	1	
15	5XC-12579-91	HOSE 4	1	1	1	
16	5XC-12482-90	PIPE 2	1	1	1	
17	5XC-1244H-90	HOSE 5	1	1	1	
18	90450-25001	HOSE CLAMP ASSY	5	5	5	
19	90450-22001	HOSE CLAMP ASSY	4	4	4	
20	90450-32003	HOSE CLAMP ASSY	1	1	1	
21	90480-15528	GROMMET	4	4	4	
22	90387-06065	COLLAR	4	4	4	
23	90105-06111	BOLT, FLANGE	4	4	4	
24	90201-06571	WASHER, PLATE	4	4	4	

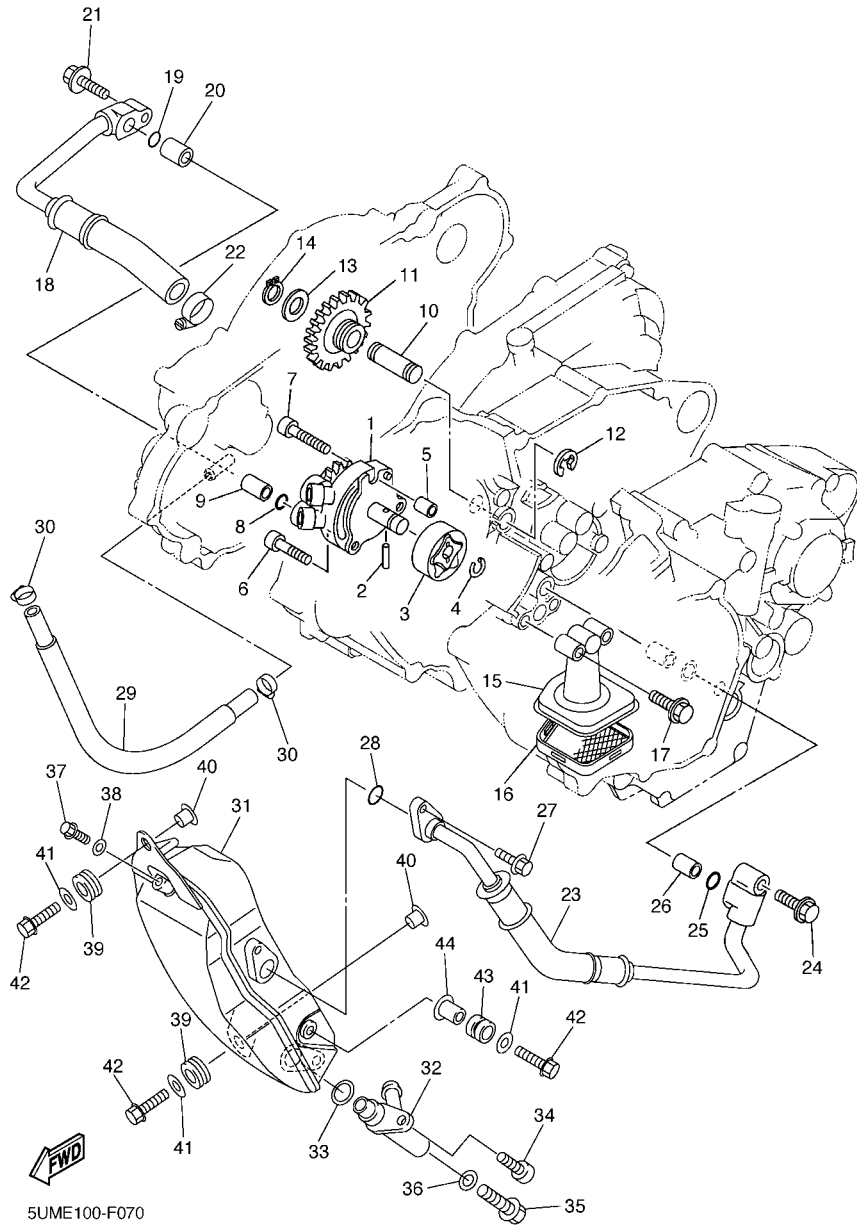




5UME100-F070

FIG. 7 OIL PUMP

REF. NO.	PART NO.	DESCRIPTION	SUME	SUMF	SUMG	REMARKS
1	5SG-13300-00	OIL PUMP ASSY	1	1	1	
2	93603-16219	PIN, DOWEL	1	1	1	
3	5NL-13320-00	ROTOR ASSY 2	1	1	1	
4	93440-10153	CIRCLIP	1	1	1	
5	99530-08012	PIN, DOWEL	1	1	1	
6	91312-06025	BOLT	2	2	2	
7	91317-06030	BOLT	1	1	1	
8	93210-10197	O-RING	1	1	1	
9	99530-10114	PIN, DOWEL	1	1	1	
10	5BE-13342-00	SHAFT, IDLE GEAR	1	1	1	
11	5NL-13341-00	GEAR, OIL PUMP IDLE	1	1	1	
12	99001-08600	CIRCLIP	1	1	1	
13	90201-12166	WASHER, PLATE	1	1	1	
14	99009-12400	CIRCLIP	1	1	1	
15	5XC-13412-00	HOUSING, STRAINER	1	1	1	
16	5NL-13411-00	STRAINER, OIL	1	1	1	
17	95022-06025	BOLT, FLANGE	2	2	2	
18	5XC-13464-20	HOSE, OIL 1	1	1	1	
19	93210-10197	O-RING	1	1	1	
20	99530-10114	PIN, DOWEL	1	1	1	
21	95022-06025	BOLT, FLANGE	1	1	1	
22	90450-22001	HOSE CLAMP ASSY	1	1	1	
23	5XC-13465-10	HOSE, OIL 2	1	1	1	
24	95022-06025	BOLT, FLANGE	1	1	1	
25	93210-10197	O-RING	1	1	1	
26	99530-10114	PIN, DOWEL	1	1	1	
27	95022-06016	BOLT, FLANGE	1	1	1	

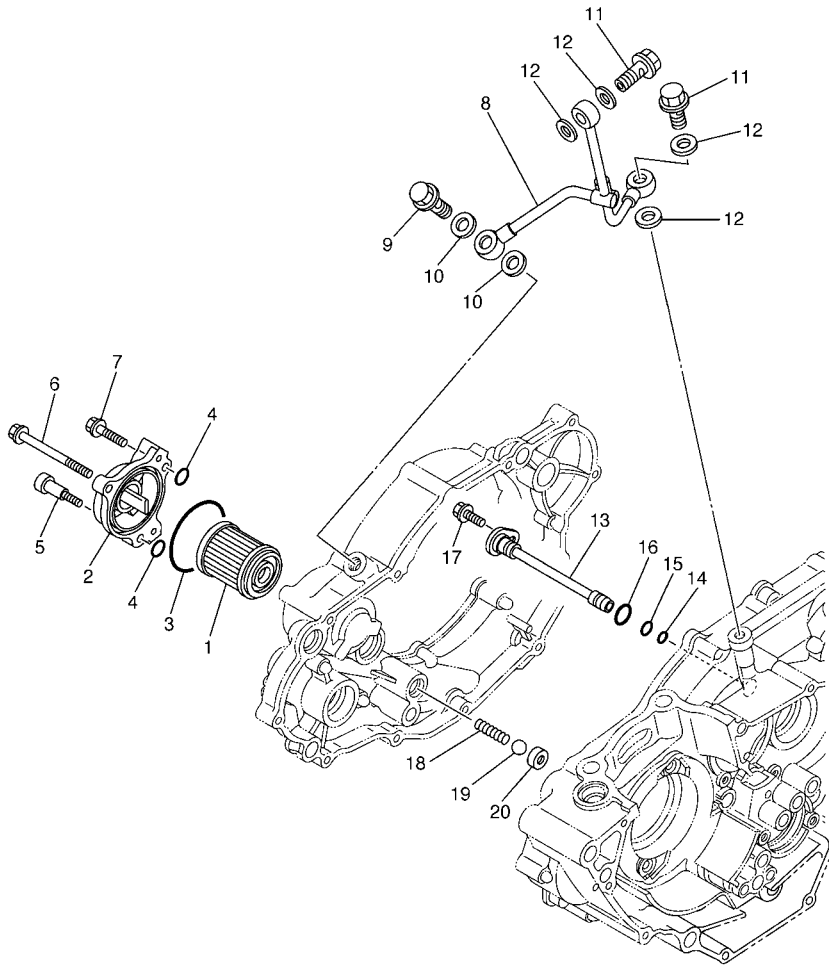


5UME100-F070

FIG. 7 OIL PUMP

REF. NO.	PART NO.	DESCRIPTION	SUME	SUMF	SUMG	REMARKS
28	93210-09754	O-RING	1	1	1	
29	90445-14010	HOSE	1	1	1	
30	90450-17001	HOSE CLAMP ASSY	2	2	2	
31	5XC-21751-90	TANK, OIL	1	1	1	
32	5XC-13416-90	PIPE, OIL 1	1	1	1	
33	93210-14369	O-RING	1	1	1	
34	91312-06016	BOLT	1	1	1	
35	90105-08151	BOLT, FLANGE	1	1	1	
36	90201-082A6	WASHER, PLATE	1	1	1	
37	90105-06128	BOLT, FLANGE	1	1	1	
38	90201-06630	WASHER, PLATE	1	1	1	
39	90480-10289	GROMMET	2	2	2	
40	90387-06150	COLLAR	2	2	2	
41	90201-06571	WASHER, PLATE	3	3	3	
42	90105-06112	BOLT, FLANGE	3	3	3	
43	90480-14433	GROMMET	1	1	1	
44	90387-06161	COLLAR	1	1	1	

FIG. 8 OIL CLEANER

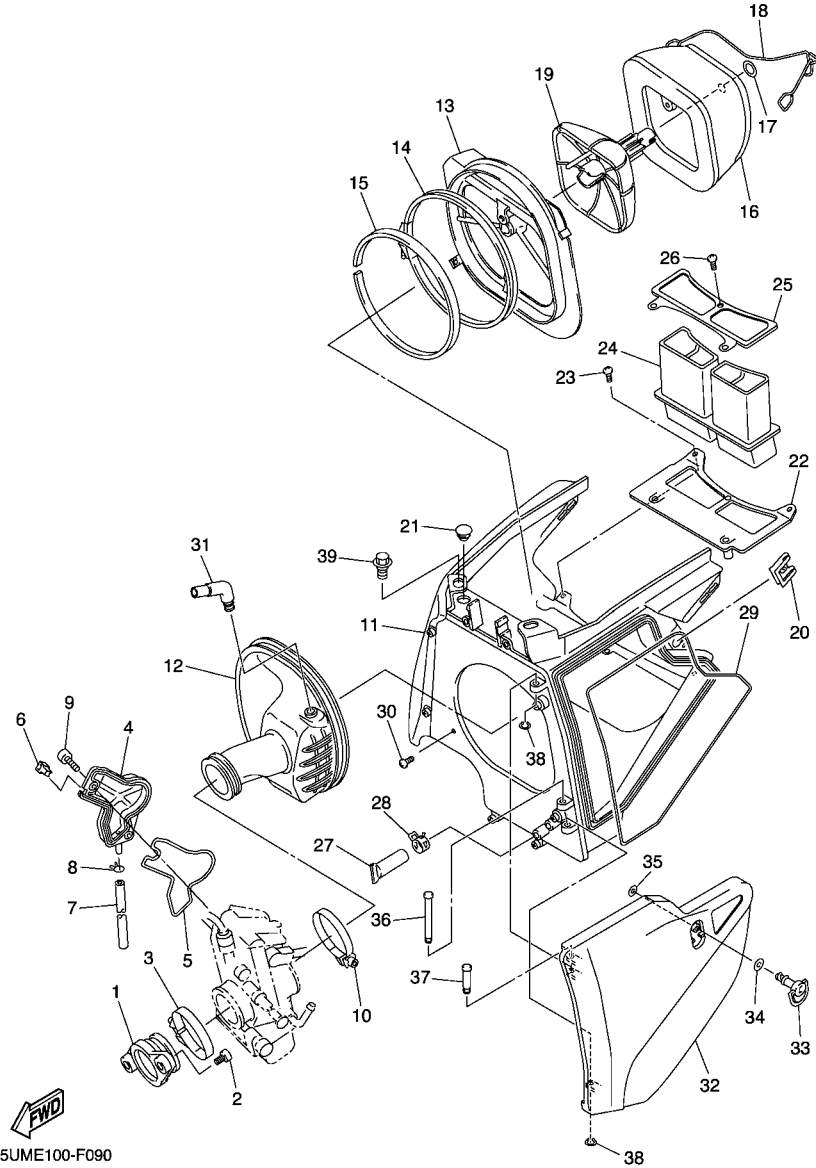


REF. NO.	PART NO.	DESCRIPTION	SUM E	SUM F	SUM G	REMARKS
1	5TA-13440-00	ELEMENT ASSY, OIL CLEANER	1	1	1	
2	5BE-13447-10	COVER, OIL ELEMENT	1	1	1	
3	93210-47675	O-RING	1	1	1	
4	93210-07135	O-RING	3	3	3	
5	90110-06228	BOLT, HEXAGON SOCKET HEAD	1	1	1	
6	91312-06065	BOLT	1	1	1	
7	91312-06025	BOLT	1	1	1	
8	5NL-13161-20	PIPE, DELIVERY 1	1	1	1	
9	90401-10015	BOLT, UNION	1	1	1	
10	90430-10188	GASKET	2	2	2	
11	90401-08006	BOLT, UNION	2	2	2	
12	90430-08119	GASKET	4	4	4	
13	5NL-13171-00	PIPE, DELIVERY 2	1	1	1	
14	93210-07003	O-RING	1	1	1	
15	93210-09008	O-RING	1	1	1	
16	93210-12759	O-RING	1	1	1	
17	95022-06012	BOLT, FLANGE	1	1	1	
18	90501-043E0	SPRING, COMPRESSION	1	1	1	
19	93503-08007	BALL	1	1	1	
20	583-13113-00	SEAT, CHECK BALL	1	1	1	



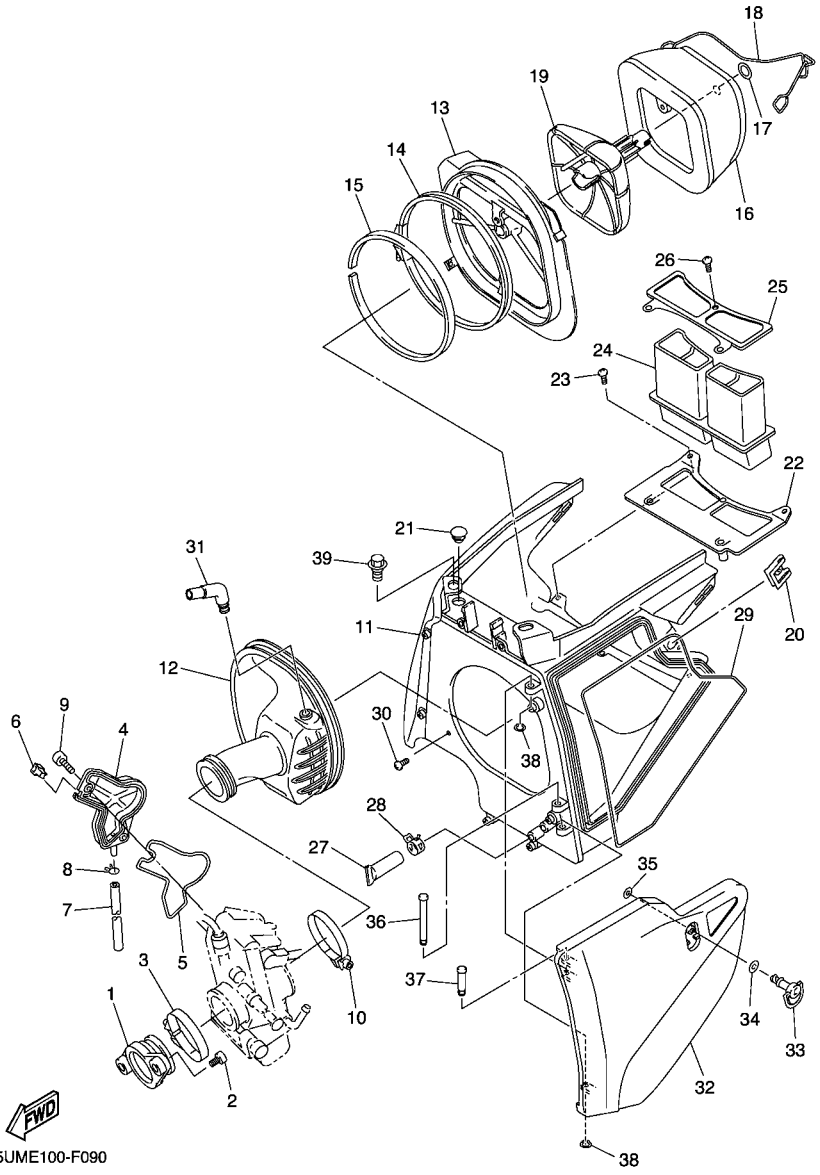
5XC9100-E080

FIG. 9 INTAKE



5UME100-F090

REF. NO.	PART NO.	DESCRIPTION	SUME	SUMF	SUMG	REMARKS
1	5XC-13597-30	JOINT, CARBURETOR 3	1	1	1	
2	91312-06025	BOLT	2	2	2	
3	90450-57010	HOSE CLAMP ASSY	1	1	1	
4	5TA-14293-00	COVER 1	1	1	1	
5	5TA-14227-00	GASKET	1	1	1	
6	5TA-14239-00	SEAL	1	1	1	
7	5TA-14987-00	HOSE	1	1	1	
8	3TJ-14137-40	CLIP	1	1	1	
9	90110-05038	BOLT, HEXAGON SOCKET HEAD	2	2	2	
10	90450-61002	HOSE CLAMP ASSY	1	1	1	
11	5UM-14401-E0	AIR CLEANER CASE ASSY	1	1	1	
12	5UM-14453-E0	JOINT, AIR CLEANER 1	1	1	1	
13	5TJ-14459-01	HOLDER, GUIDE	1	1	1	
14	5NY-14455-20	BAND	1	1	1	
15	5NY-14442-00	SPACER	1	1	1	
16	5UM-14451-E0	ELEMENT, AIR CLEANER	1	1	1	
17	5TJ-14475-00	WASHER	1	1	1	
18	5UM-1441G-E0	BINDER 1	1	1	1	
19	5TJ-14458-00	GUIDE	1	1	1	
20	4XV-2177L-01	PLATE, SPRING	1	1	1	
21	90338-07043	PLUG	1	1	1	
22	5UM-14437-E0	DUCT	1	1	1	
23	97702-50516	SCREW, TAPPING	2	2	2	
24	5UM-1443A-E0	DUCT	1	1	1	
25	5UM-14417-E0	COVER 1	1	1	1	
26	97702-50516	SCREW, TAPPING	3	3	3	
27	5BF-1443E-00	PIPE, DRAIN	1	1	1	

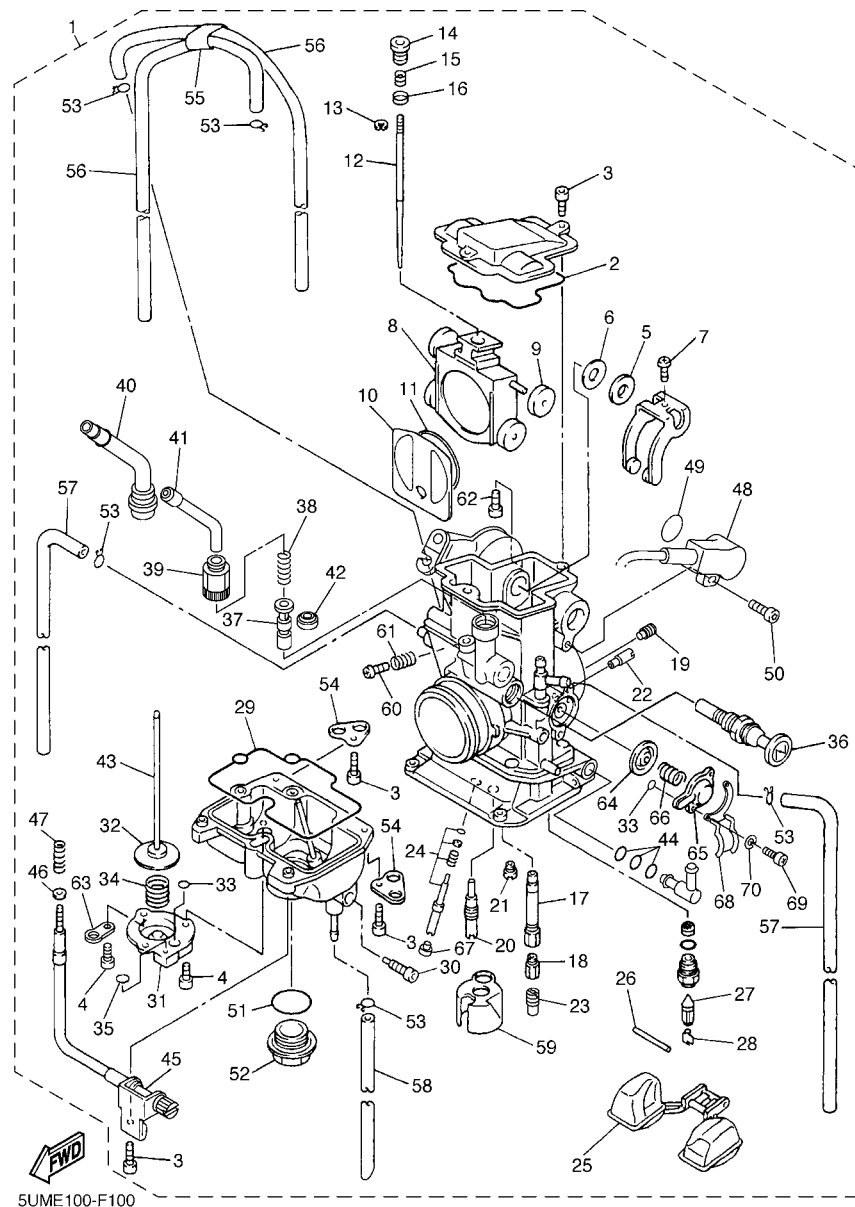


5UME100-F090

B14

FIG. 9 INTAKE

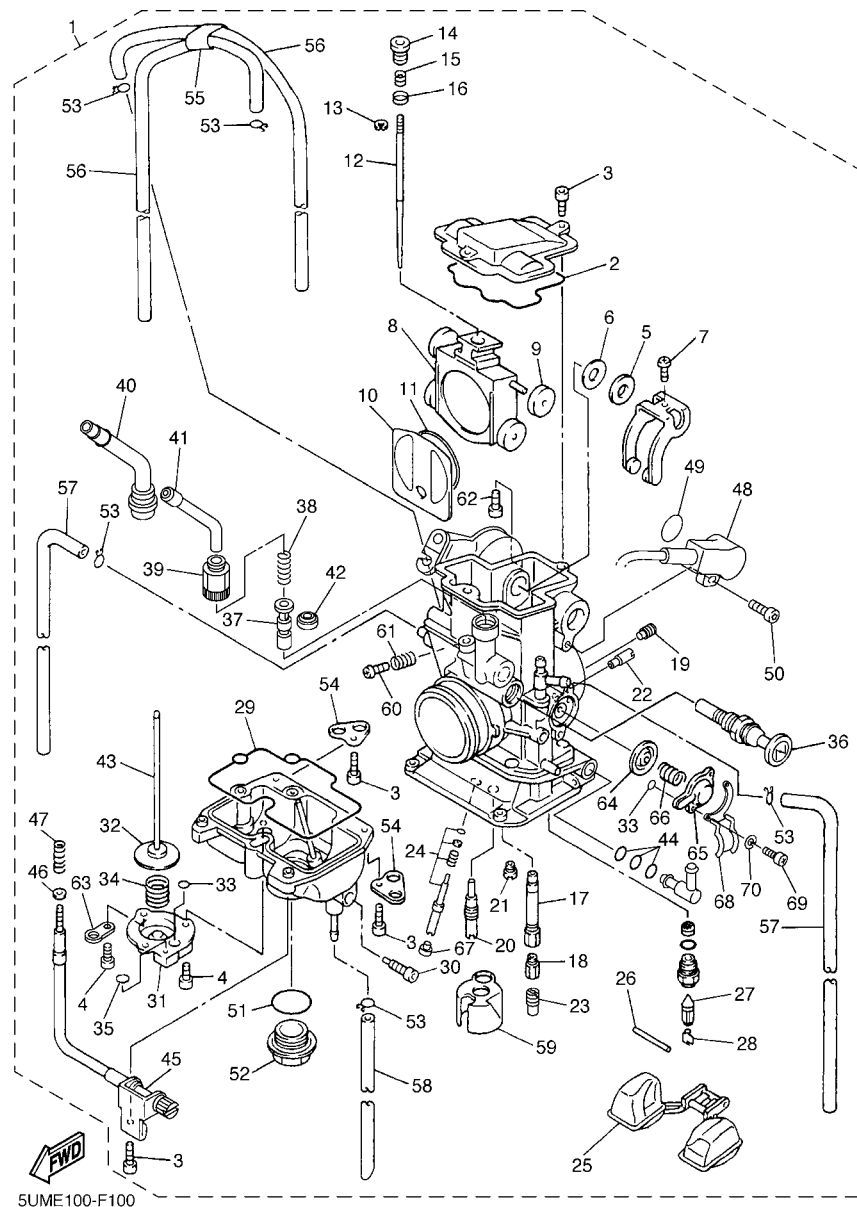
REF. NO.	PART NO.	DESCRIPTION	SUME	SUMF	SUMG	REMARKS
28	90467-17089	CLIP	1	1	1	
29	5UM-14462-E0	SEAL	1	1	1	
30	97702-50516	SCREW, TAPPING	1	1	1	
31	5TJ-14419-00	PIPE	1	1	1	
32	5UM-1441A-E0	COVER, CLEANER CASE 1	1	1	1	
33	3FV-28386-00	HEAD	1	1	1	
34	2TK-21757-00	WASHER, SPECIAL 1	1	1	1	
35	5TJ-21757-00	WASHER, SPECIAL 1	1	1	1	
36	90249-05005	PIN	1	1	1	
37	90249-05004	PIN	1	1	1	
38	99002-04600	CIRCLIP	2	2	2	
39	90109-067F4	BOLT	2	2	2	



5UM-100-F100

FIG. 10 CARBURETOR

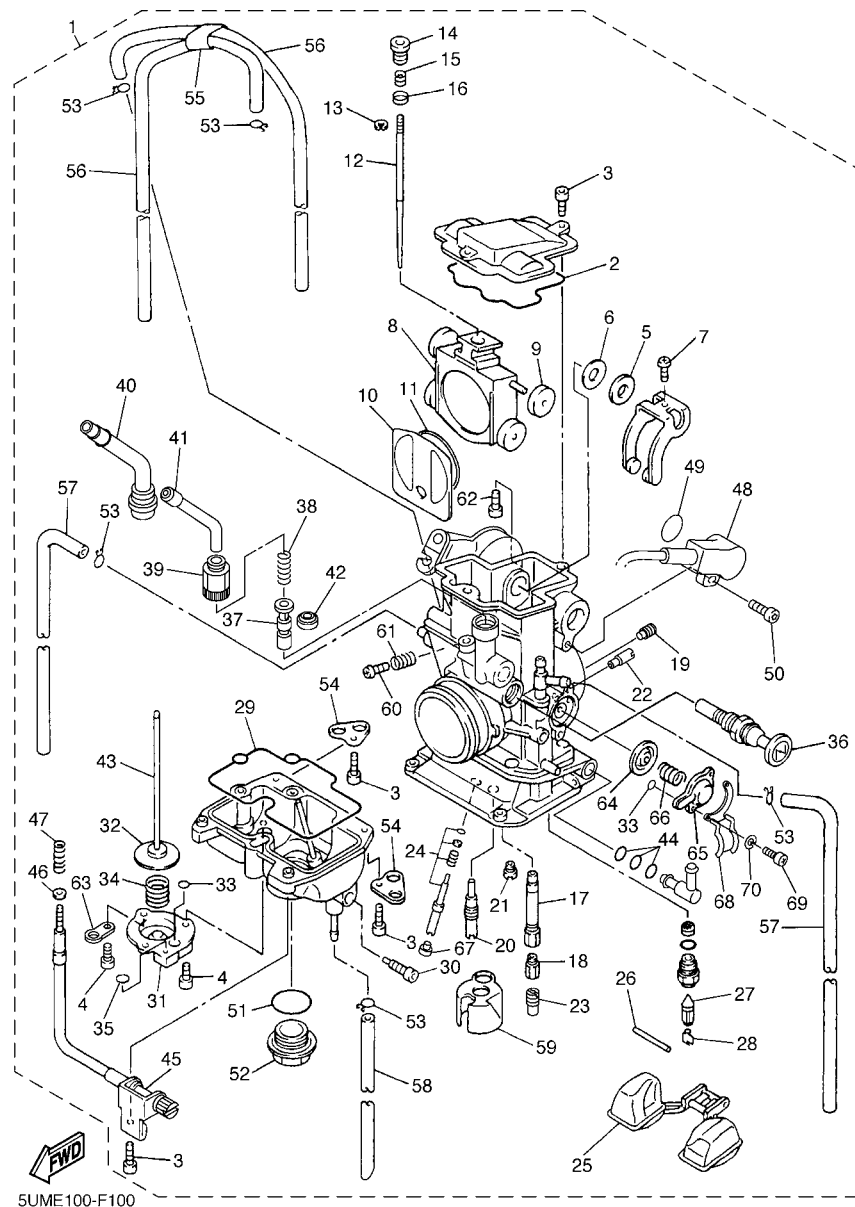
REF. NO.	PART NO.	DESCRIPTION	SUME	SUMF	SUMG	REMARKS
1	5UM-14101-E0	CARBURETOR ASSY 1	1	1	1	
2	5JG-14959-00	.GASKET	1	1	1	
3	91316-04012	.BOLT	6	6	6	
4	688-14592-00	.SCREW	3	3	3	
5	90202-08045	.WASHER, PLATE	1	1	1	
6	5JG-14951-00	.WASHER	1	1	1	
7	5JG-14522-00	.SCREW, ADJUST	1	1	1	
8	2S2-14388-00	.VALVE, VACUUM CONTROL	1	1	1	
9	3TJ-14267-40	.ROLLER	1	1	1	
10	5JG-14546-01	.VALVE, NEEDLE	1	1	1	
11	4FN-14997-00	.SEAL	1	1	1	
12	5UM-14916-RU	.NEEDLE (NJRU)	1	1	1	STD
	5UM-14916-BN	.NEEDLE (GDEPN)	1	1	1	AP
	5UM-14916-BP	.NEEDLE (GDEPP)	1	1	1	AP
	5UM-14916-B1	.NEEDLE (GDEPQ)	1	1	1	AP
	5UM-14916-BR	.NEEDLE (GDEPR)	1	1	1	STD ZAF
	5UM-14916-BS	.NEEDLE (GDEPS)	1	1	1	AP
	5UM-14916-BT	.NEEDLE (GDEPT)	1	1	1	AP
	5UM-14916-BU	.NEEDLE (GDEPU)	1	1	1	AP
	5UM-14916-BV	.NEEDLE (GDEPV)	1	1	1	AP
13	3TJ-14159-40	.CLIP	1	1	1	
14	5JG-14521-00	.SCREW, ADJUST	1	1	1	
15	5JG-14275-00	.SPRING	1	1	1	
16	5JG-14264-00	.COLLAR	1	1	1	
17	5TJ-14947-00	.JET, NEEDLE	1	1	1	
18	4MX-14943-41	.JET, MAIN (#170)	1	1	1	STD
	4MX-14943-89	.JET, MAIN (#158)	1	1	1	AP



5UME100-F100

FIG. 10 CARBURETOR

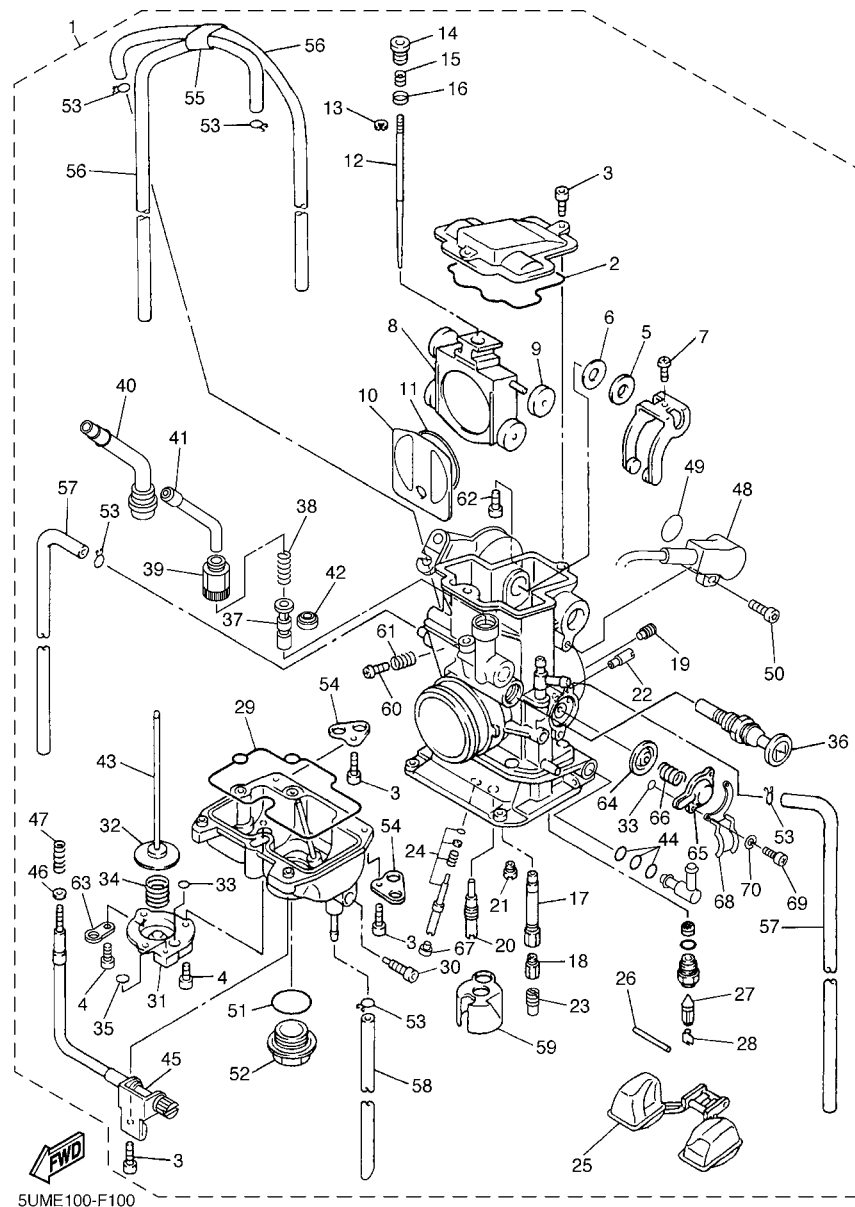
REF. NO.	PART NO.	DESCRIPTION	5UME	5UMF	5UMG	REMARKS
18	4MX-14943-39	.JET, MAIN (#160)		1	1	AP
	4MX-14943-90	.JET, MAIN (#162)		1	1	AP
	4MX-14943-40	.JET, MAIN (#165)		1	1	AP
	4MX-14943-91	.JET, MAIN (#168)		1	1	AP
	4MX-14943-92	.JET, MAIN (#172)		1	1	AP
	4MX-14943-42	.JET, MAIN (#175)		1	1	AP
	4MX-14943-93	.JET, MAIN (#178)		1	1	AP
	4MX-14943-43	.JET, MAIN (#180)		1	1	AP
	4MX-14943-94	.JET, MAIN (#182)		1	1	AP
19	5UM-1494F-30	.JET (#115)	1	1	1	
20	4MX-14948-04	.JET, SLOW (#42)	1	1	1	STD
	4MX-14948-03	.JET, SLOW (#40)		1	1	AP
	4MX-14948-05	.JET, SLOW (#45)		1	1	AP
	4MX-14948-06	.JET, SLOW (#48)		1	1	AP
	4MX-14948-07	.JET, SLOW (#50)		1	1	AP
21	3TJ-1494F-14	.JET (#68)	1	1	1	STD
	3TJ-1494F-12	.JET (#62)		1	1	AP
	3TJ-1494F-13	.JET (#65)		1	1	AP
	3TJ-1494F-15	.JET (#70)		1	1	AP
	3TJ-1494F-16	.JET (#72)		1	1	AP
22	5TA-14943-15	.JET, MAIN (#70)	1	1	1	
23	4JT-1494F-15	.JET (#70)	1	1	1	STD
	4JT-1494F-11	.JET (#60)		1	1	AP
	4JT-1494F-19	.JET (#80)		1	1	AP
	4JT-1494F-23	.JET (#90)		1	1	AP
	4JT-1494F-27	.JET(#100)		1	1	AP
	4JT-1494F-29	.JET(#110)		1	1	AP



5UME100-F100

FIG. 10 CARBURETOR

REF. NO.	PART NO.	DESCRIPTION	SUME	SUMF	SUMG	REMARKS
23	4JT-1494F-31	.JET(#120)		1	1	AP
24	5NL-14105-00	.PILOT SCREW SET	1	1	1	
25	4SR-14985-00	.FLOAT	1	1	1	
26	676-14548-00	.PIN, FLOAT ARM	1	1	1	
27	4MX-14392-00	.VALVE, NEEDLE	1	1	1	
28	633-14159-00	.CLIP	1	1	1	
29	5JG-14984-00	.GASKET, FLOAT CHAMBER	1	1	1	
30	3TJ-14191-40	.PLUG, DRAIN	1	1	1	
31	3TJ-14293-40	.COVER 1	1	1	1	
32	5JG-14940-76	.DIAPHRAGM ASSY	1	1	1	STD
	5JG-14940-16	.DIAPHRAGM ASSY		1	1	AP
	5JG-14940-17	.DIAPHRAGM ASSY		1	1	AP
	5JG-14940-18	.DIAPHRAGM ASSY		1	1	AP
33	3TJ-14536-40	.GASKET	2	2	2	
34	3TJ-14933-40	.SPRING, DIAPHRAGM	1	1	1	
35	6H4-14561-00	.O-RING	1	1	1	
36	5XC-14171-00	.PLUNGER, STARTER	1	1	1	
37	5TA-14371-00	.PLUNGER, STARTER	1	1	1	
38	5TA-14335-00	.SPRING, PLUNGER	1	1	1	
39	5TA-14991-00	.SCREW	1	1	1	
40	2S2-14374-00	.CAP, PLUNGER	1	1	1	
41	5TA-14155-00	.GUIDE, CABLE	1	1	1	
42	5TA-14997-00	.SEAL	1	1	1	
43	5JG-14379-00	.ROD, STARTER	1	1	1	
44	3TJ-14564-40	.O-RING	3	3	3	
45	5XC-14922-00	.SCREW, THROTTLE	1	1	1	
46	90201-08410	.WASHER, PLATE	1	1	1	

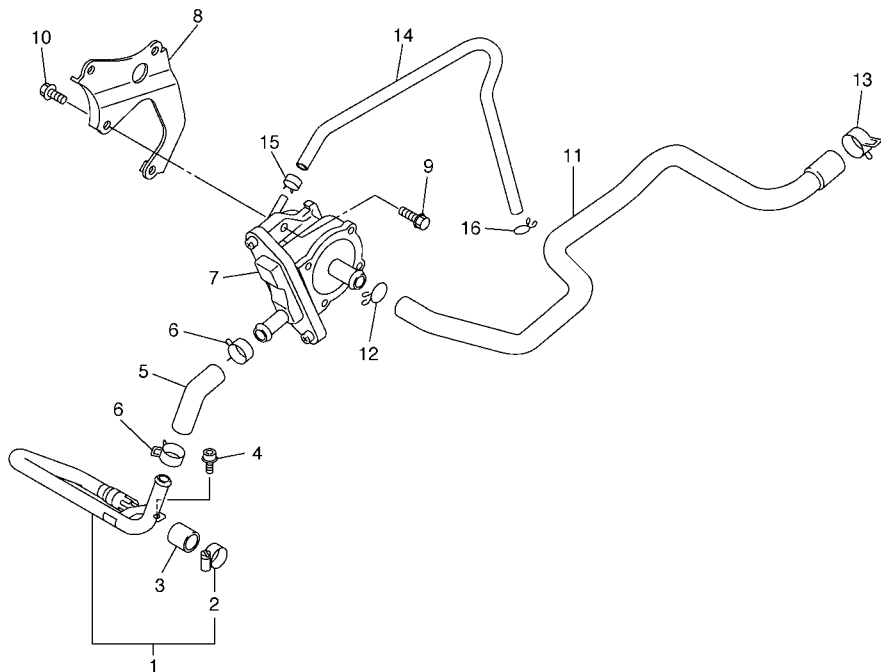


5UME100-F100

FIG. 10 CARBURETOR

REF. NO.	PART NO.	DESCRIPTION	SUME	SUMF	SUMG	REMARKS
47	5TA-14934-00	.SPRING, THROTTLE STOP	1	1	1	
48	5XC-85885-00	.THROTTLE SENSOR ASSY	1	1	1	
49	5NX-14562-00	.O-RING	1	1	1	
50	5NX-14216-00	.SCREW	1	1	1	
51	4MX-14561-00	.O-RING	1	1	1	
52	4MX-14115-00	.PLUG, SCREW	1	1	1	
53	3TJ-14137-40	.CLIP	5	5	5	
54	5BE-14146-00	.PLATE	2	2	2	
55	5TA-14261-00	.HOLDER	1	1	1	
56	5UL-14196-00	.PIPE	2	2	2	
57	5TA-14197-00	.PIPE	2	2	2	
58	5TJ-14987-00	.HOSE	1	1	1	
59	5JG-14346-00	.PLATE	1	1	1	
60	5JG-14565-00	.SCREW	1	1	1	
61	5JG-14531-00	.SPRING, ADJUST SCREW	1	1	1	
62	5GS-14591-00	.SCREW	1	1	1	
63	5PA-14146-00	.PLATE	1	1	1	
64	5GS-14940-00	.DIAPHRAGM ASSY	1	1	1	
65	5GS-14958-00	.COVER, DIAPHRAGM	1	1	1	
66	5GS-14933-00	.SPRING, DIAPHRAGM	1	1	1	
67	5TJ-14118-00	.CAP	1	1	1	
68	5TJ-14243-00	.PLATE	1	1	1	
69	98502-04010	.SCREW, PAN HEAD	2	2	2	
70	92902-04100	.WASHER, SPRING	2	2	2	

FIG. 11 AIR INDUCTION SYSTEM



5UME100-F110

REF. NO.	PART NO.	DESCRIPTION	SUME	SUMF	SUMG	REMARKS
1	5UM-14871-10	PIPE 1	1	1	1	
2	90450-20078	.HOSE CLAMP ASSY	1	1	1	
3	4KM-14714-01	GASKET, MUFFLER	1	1	1	
4	90109-060E9	BOLT	1	1	1	
5	5UM-14881-00	HOSE, BEND 1	1	1	1	
6	90467-16063	CLIP	2	2	2	
7	5UM-14803-00	AIR INDUCTION SYSTEM ASSY	1	1	1	
8	5UM-14834-E0	STAY	1	1	1	
9	90105-06107	BOLT, FLANGE	2	2	2	
10	90105-06105	BOLT, FLANGE	2	2	2	
11	5UM-14882-00	HOSE, BEND 2	1	1	1	
12	90467-140A4	CLIP	1	1	1	
13	90467-17089	CLIP	1	1	1	
14	90445-08027	HOSE	1	1	1	
15	90467-07138	CLIP	1	1	1	
16	90467-09006	CLIP	1	1	1	

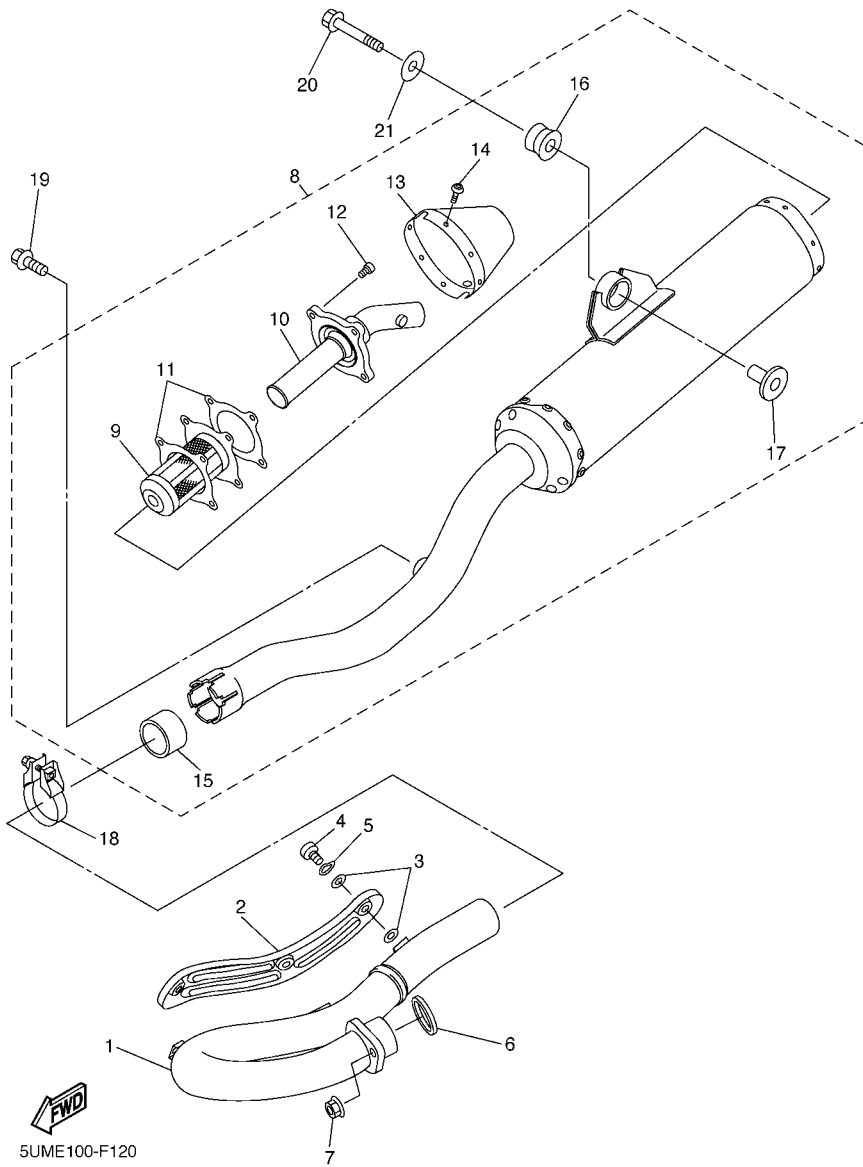
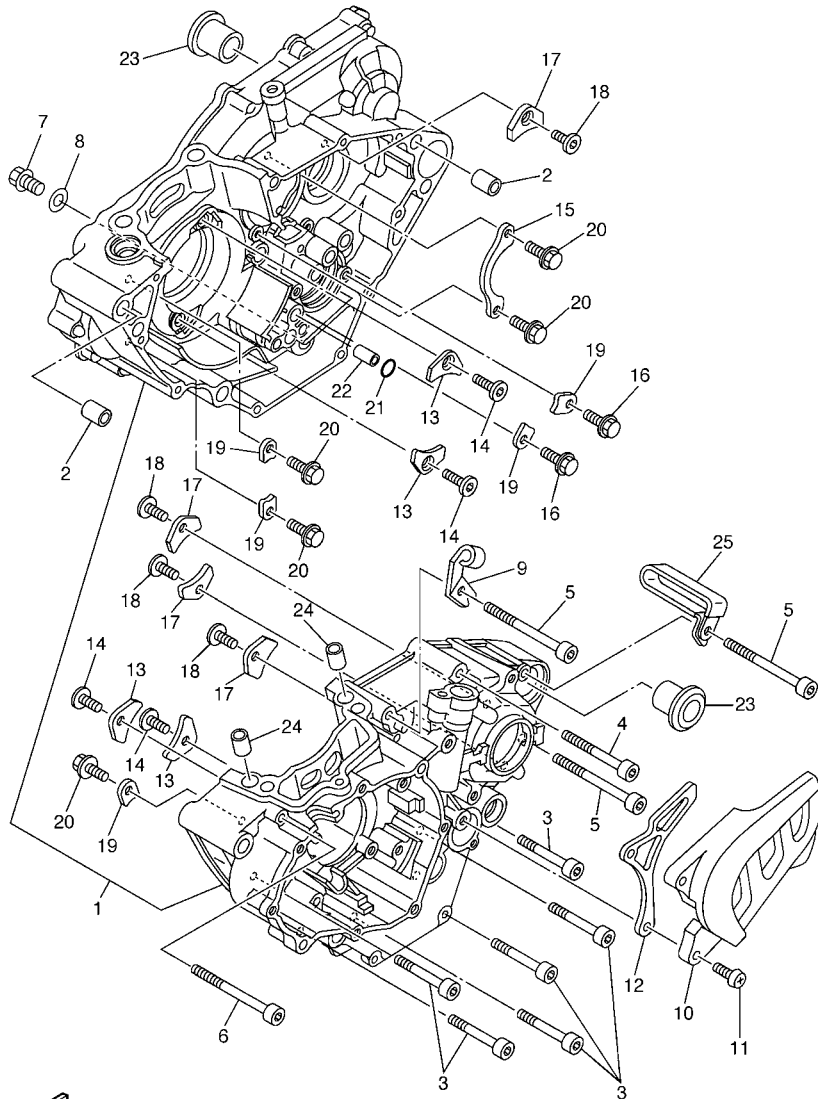


FIG. 12 EXHAUST

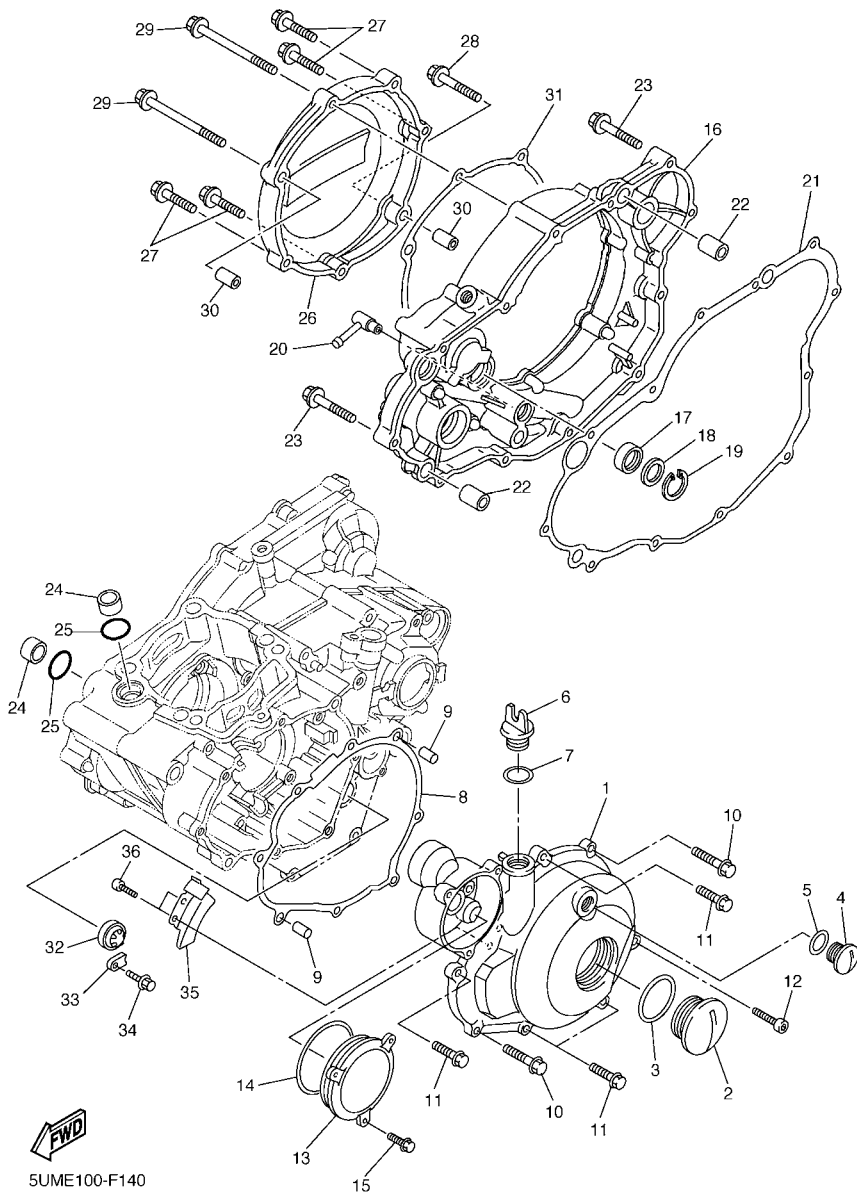
REF. NO.	PART NO.	DESCRIPTION	SUME	SUMF	SUMG	REMARKS
1	5UM-14611-10	PIPE, EXHAUST 1	1	1	1	
2	5XC-14628-00	PROTECTOR, EXHAUST PIPE	1	1	1	
3	4BD-14766-00	WASHER, PROTECTOR	6	6	6	
4	98980-06008	SCREW, BIND	3	3	3	
5	90206-06090	WASHER, WAVE	3	3	3	
6	5NL-14613-00	GASKET, EXHAUST PIPE	1	1	1	
7	95702-08500	NUT, FLANGE	2	2	2	
8	5UM-14710-E0	MUFFLER ASSY 1	1	1	1	
9	5TJ-14780-00	.SPARK ARRESTER ASSY	1	1	1	
10	5TJ-14784-00	.PIPE, TAIL	1	1	1	
11	5TJ-14623-00	.GASKET, EXHAUST PIPE	2	2	2	
12	90110-05041	.BOLT, HEXAGON SOCKET HEAD	4	4	4	
13	5TJ-14799-00	.CAP	1	1	1	
14	92012-05008	.BOLT, BUTTON HEAD	6	6	6	
15	5PH-14714-00	.GASKET, MUFFLER	1	1	1	
16	5BE-14747-00	.DAMPER, MUFFLER	1	1	1	
17	90387-08081	.COLLAR	1	1	1	
18	5BE-14788-00	BAND, SILENCER	1	1	1	
19	90105-08307	BOLT, FLANGE	1	1	1	
20	90105-08137	BOLT, FLANGE	1	1	1	
21	90201-08061	WASHER, PLATE	1	1	1	



FWD
5UME100-F130

FIG. 13 CRANKCASE

REF. NO.	PART NO.	DESCRIPTION	SUME	SUMF	SUMG	REMARKS
1	5UM-15150-20-YX	CRANKCASE ASSY	1	1	1	
2	93612-16254	PIN, DOWEL	2	2	2	
3	91312-06045	BOLT	5	5	5	
4	91312-06055	BOLT	1	1	1	
5	91312-06070	BOLT	3	3	3	
6	91312-06100	BOLT	1	1	1	
7	95022-10016	BOLT, FLANGE	1	1	1	
8	90430-10188	GASKET	1	1	1	
9	5NL-15441-01	HOLDER, CLUTCH CABLE	1	1	1	
10	5BE-15421-10	COVER, CRANKCASE 2	1	1	1	
11	98502-06025	SCREW, PAN HEAD	2	2	2	
12	5NL-17466-00	GUIDE, CHAIN	1	1	1	
13	5BE-15383-01	PLATE, BEARING COVER	4	4	4	
14	90149-06085	SCREW	4	4	4	
15	5NL-15388-00	PLATE, BEARING COVER	1	1	1	
16	90105-06081	BOLT, FLANGE	2	2	2	
17	4JT-15381-01	PLATE, BEARING COVER	4	4	4	
18	90149-06074	SCREW	4	4	4	
19	5DH-18562-00	PLATE, STOPPER 2	5	5	5	
20	90105-06081	BOLT, FLANGE	5	5	5	
21	93210-10197	O-RING	1	1	1	
22	99530-10114	PIN, DOWEL	1	1	1	
23	90387-18007	COLLAR	2	2	2	
24	99530-10116	PIN, DOWEL	2	2	2	
25	90465-10013	CLAMP	1	1	1	

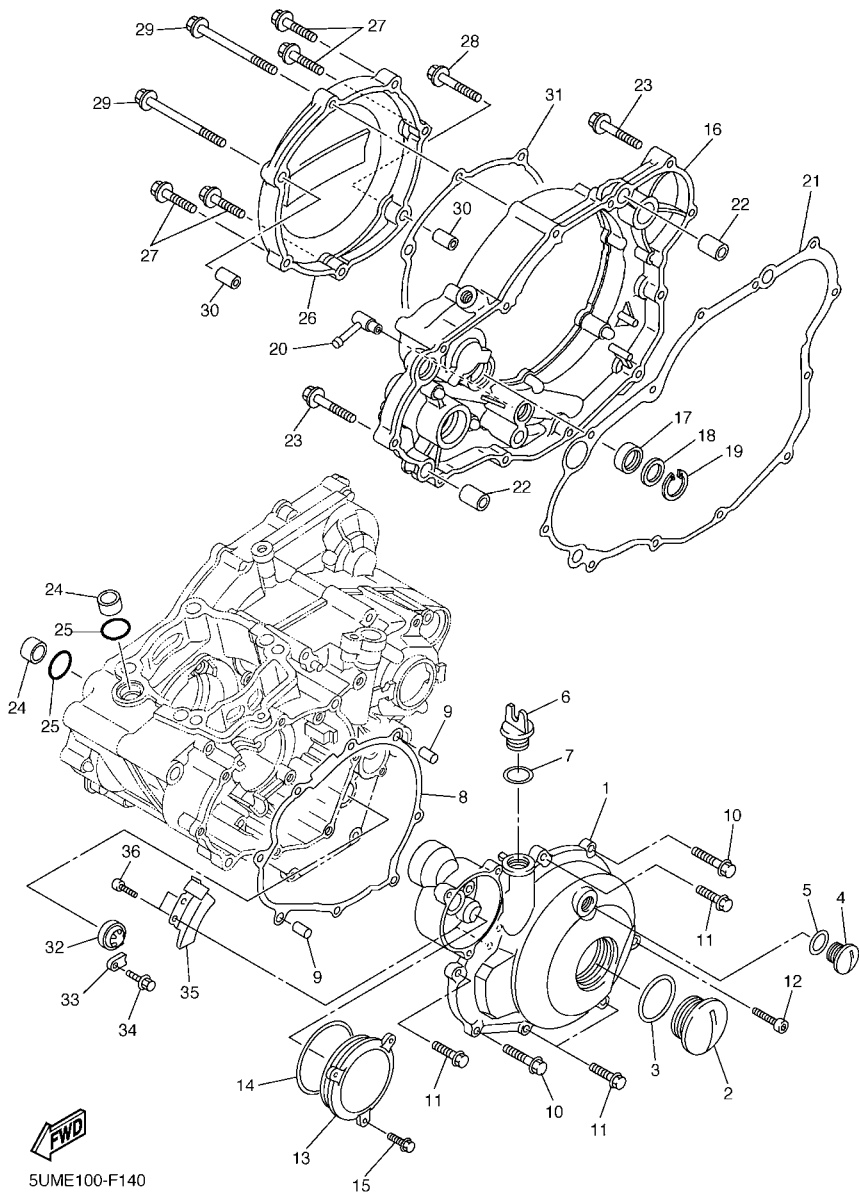


SUME100-F140

FIG. 14 CRANKCASE COVER 1

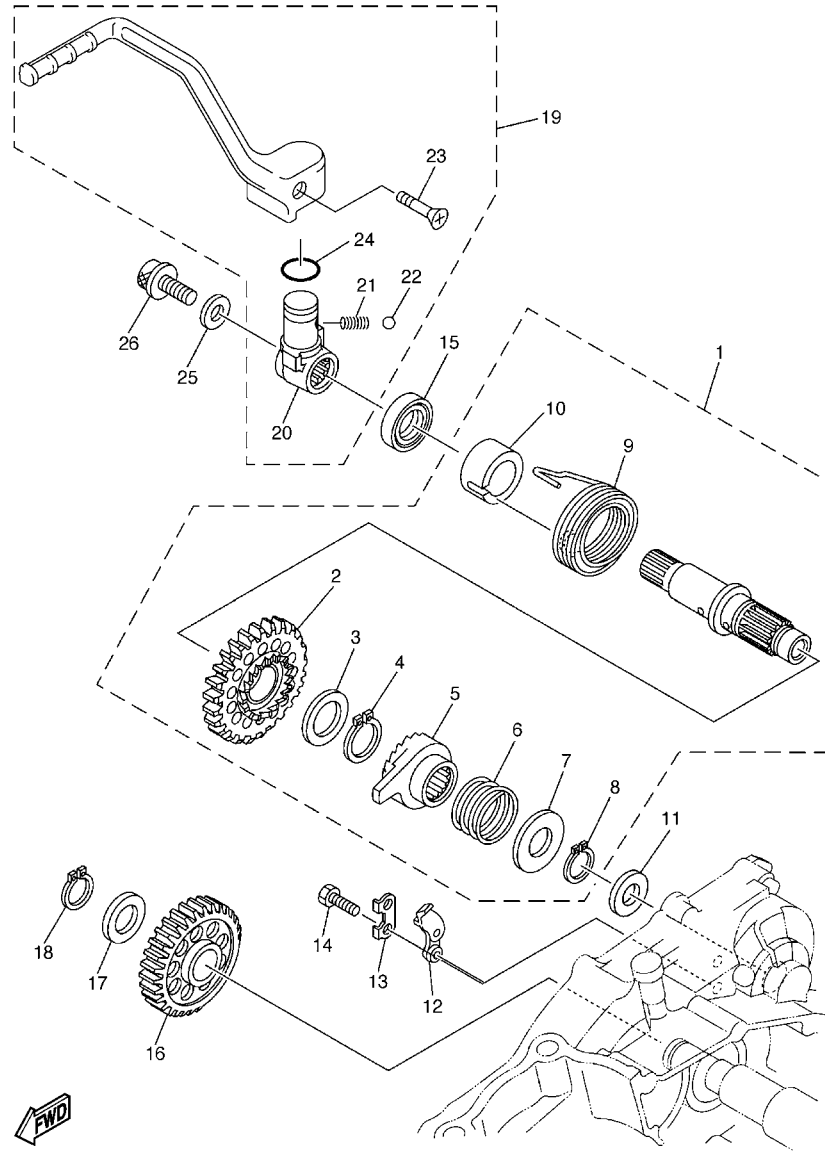
REF. NO.	PART NO.	DESCRIPTION	SUME	SUMF	SUMG	REMARKS
1	5UM-15411-10	COVER, CRANKCASE 1	1	1	1	
2	90340-27002	PLUG, STRAIGHT SCREW	1	1	1	
3	93210-27370	O-RING	1	1	1	
4	90340-14128	PLUG, STRAIGHT SCREW	1	1	1	
5	93210-14369	O-RING	1	1	1	
6	3Y1-15363-00	PLUG, OIL	1	1	1	
7	93210-19123	O-RING	1	1	1	
8	5UM-15451-00	GASKET, CRANKCASE COVER 1	1	1	1	
9	99530-08016	PIN, DOWEL	2	2	2	
10	95022-06040	BOLT, FLANGE	2	2	2	
11	95022-06030	BOLT, FLANGE	4	4	4	
12	91312-06110	BOLT	1	1	1	
13	5UM-1549B-10	COVER ASSY 2	1	1	1	
14	93210-60426	O-RING	1	1	1	
15	95022-06016	BOLT, FLANGE	3	3	3	
16	5XC-15431-01	COVER, CRANKCASE 3	1	1	1	
17	93101-14164	OIL SEAL	1	1	1	
18	90201-15701	WASHER, PLATE (T=1.0)	1	1	1	
19	99009-22500	CIRCLIP	1	1	1	
20	5XC-15373-00	PIPE, BREATHER	1	1	1	
21	5NL-15462-00	GASKET, CRANKCASE COVER 3	1	1	1	
22	91812-16001	PIN, DOWEL	2	2	2	
23	95022-06035	BOLT, FLANGE	8	8	8	
24	5NL-12564-00	PIPE, WATER	2	2	2	
25	93210-16716	O-RING	2	2	2	
26	5NL-15415-00	COVER 1	1	1	1	
27	95022-06025	BOLT, FLANGE	4	4	4	

FIG. 14 CRANKCASE COVER 1



REF. NO.	PART NO.	DESCRIPTION	SUME	SUMF	SUMG	REMARKS
28	95022-06035	BOLT, FLANGE	1	1	1	
29	90105-06098	BOLT, FLANGE	2	2	2	
30	99530-08016	PIN, DOWEL	2	2	2	
31	5NL-15453-00	GASKET 1	1	1	1	
32	3Y1-15361-00	GAUGE, LEVEL	1	1	1	
33	5XC-15118-00	HOLDER	1	1	1	
34	90105-06094	BOLT, FLANGE	1	1	1	
35	5UM-81528-00	CLAMP 1	1	1	1	
36	91312-05012	BOLT	2	2	2	
<hr/>						
<hr/>						
<hr/>						
<hr/>						
<hr/>						
<hr/>						
<hr/>						

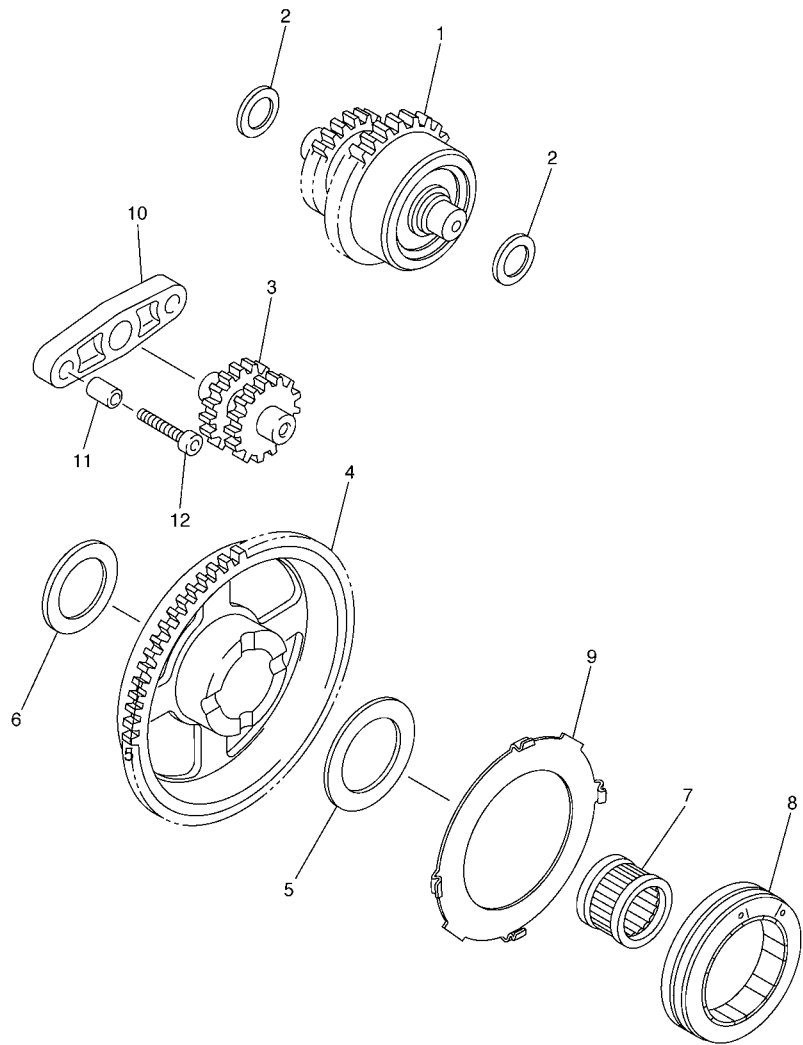
FIG. 15 STARTER



 SUME100-F150

REF. NO.	PART NO.	DESCRIPTION	SUME	SUMF	SUMG	REMARKS
1	5NL-15601-20	KICK SHAFT ASSY	1	1	1	
2	5NL-15641-20	.GEAR, KICK	1	1	1	
3	90201-20685	.WASHER, PLATE (T=0.5)	1	1	1	
4	93410-20038	.CIRCLIP	1	1	1	
5	2S2-15671-00	.WHEEL, RATCHET	1	1	1	
6	90501-160A2	.SPRING, COMPRESSION	1	1	1	
7	90201-167P7	.WASHER, PLATE	1	1	1	
8	99009-16400	.CIRCLIP	1	1	1	
9	90508-30743	.SPRING, TORSION	1	1	1	
10	5NL-15664-00	.GUIDE, SPRING	1	1	1	
11	90201-162H4	WASHER, PLATE	1	1	1	
12	5SG-15668-00	STOPPER	1	1	1	
13	214-15686-00	WASHER, LOCK	1	1	1	
14	90101-06044	BOLT	2	2	2	
15	93102-18278	OIL SEAL	1	1	1	
16	5NL-15651-00	GEAR, KICK IDLE	1	1	1	
17	90201-177G4	WASHER, PLATE	1	1	1	
18	99009-17400	CIRCLIP	1	1	1	
19	5XC-15620-10	KICK CRANK ASSY	1	1	1	
20	5XC-15621-10	.BOSS, KICK CRANK	1	1	1	
21	90501-147A5	.SPRING, COMPRESSION	1	1	1	
22	93507-32009	.BALL	1	1	1	
23	90152-06010	.SCREW, COUNTERSUNK	1	1	1	
24	93210-17570	.O-RING	1	1	1	
25	90201-08048	WASHER, PLATE	1	1	1	
26	90110-08051	BOLT, HEXAGON SOCKET HEAD	1	1	1	

FIG. 16 STARTER CLUTCH



REF. NO.	PART NO.	DESCRIPTION	SUM E	SUM F	SUM G	REMARKS
1	5UM-15560-10	DAMPER ASSY	1	1	1	
2	90201-104R2	WASHER, PLATE	2	2	2	
3	5UM-15517-00	GEAR, IDLER 2	1	1	1	
4	5UM-15515-20	GEAR 3	1	1	1	
5	90201-20021	WASHER, PLATE (T=1.0)	1	1	1	
6	90201-203L1	WASHER, PLATE	1	1	1	
7	93310-42057	BEARING	1	1	1	
8	5UM-15570-00	STARTER CLUTCH ASSY	1	1	1	
9	5VY-15586-00	PLATE, STARTER CLUTCH ASSY	1	1	1	
10	5UM-15532-00	PLATE, IDLE GEAR	1	1	1	
11	99530-08012	PIN, DOWEL	2	2	2	
12	91312-06025	BOLT	2	2	2	



5UMB100-E160

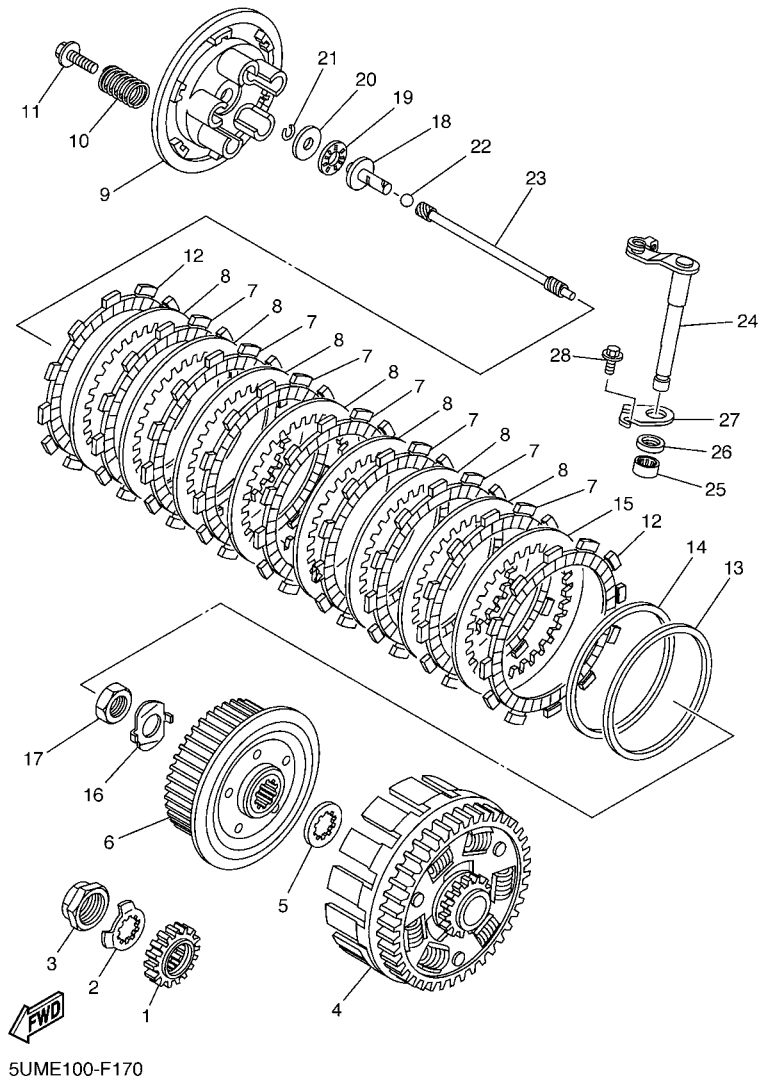
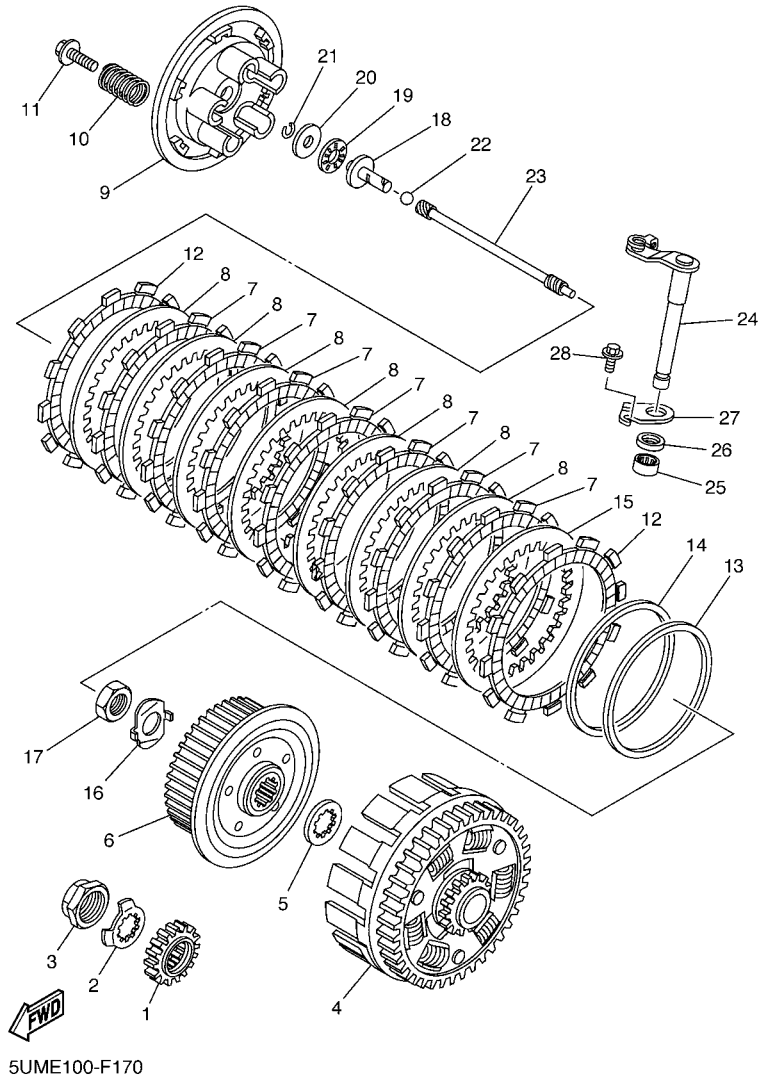


FIG. 17 CLUTCH

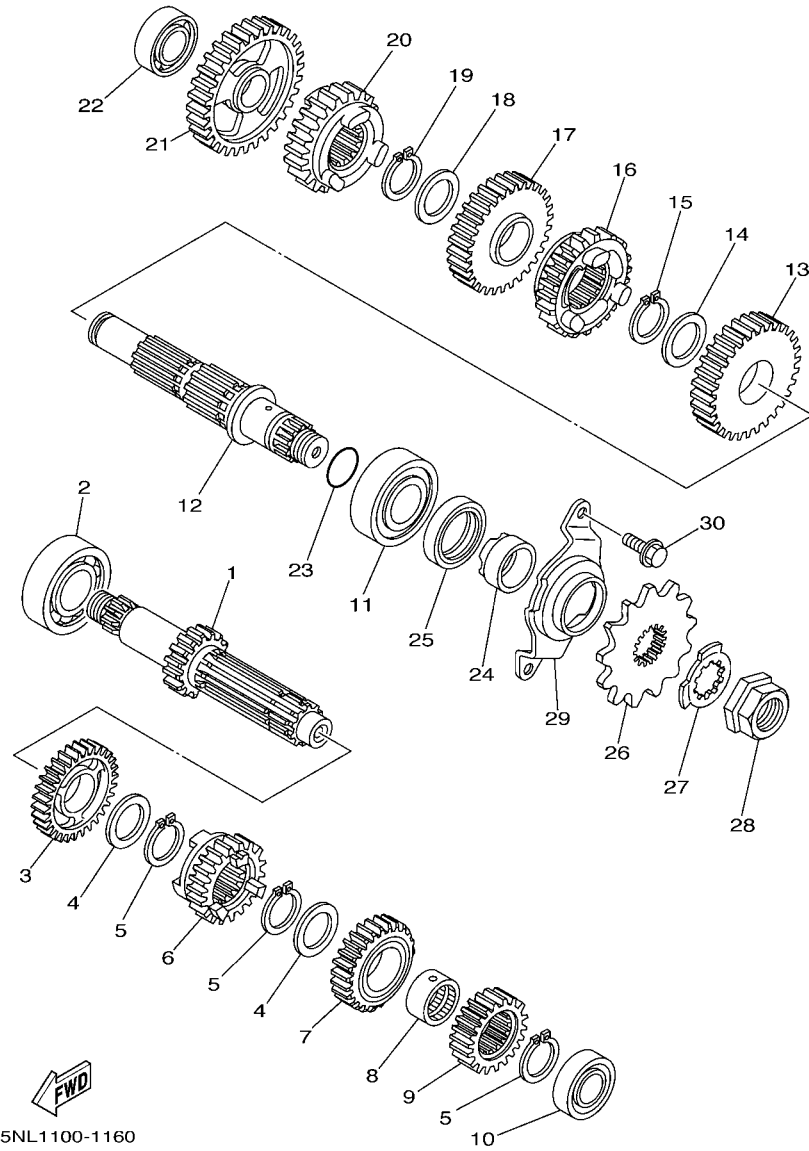
REF. NO.	PART NO.	DESCRIPTION	5UME	5UMF	5UMG	REMARKS
1	5NL-16111-00	GEAR, PRIMARY DRIVE	1	1	1	
2	90215-20003	WASHER, LOCK	1	1	1	
3	90179-18001	NUT	1	1	1	
4	5NL-16150-10	PRIMARY DRIVEN GEAR COMP.	1	1	1	
5	5NL-16154-00	PLATE, THRUST 1	1	1	1	
6	5NL-16371-00	BOSS, CLUTCH	1	1	1	
7	5DH-16321-00	PLATE, FRICTION	7	7	7	
8	5NL-16325-00	PLATE, CLUTCH 2	7	7	7	
9	5HD-16351-00	PLATE, PRESSURE 1	1	1	1	
10	90501-220A0	SPRING, COMPRESSION	5	5	5	
11	90159-06092	SCREW, WITH WASHER	5	5	5	
12	3XJ-16321-00	PLATE, FRICTION	2	2	2	
13	5NL-16384-00	PLATE, SEAT	1	1	1	
14	5NL-16383-10	SPRING, CLUTCH BOSS	1	1	1	
15	5NL-16325-10	PLATE, CLUTCH 2	1	1	1	
16	90215-16289	WASHER, LOCK	1	1	1	
17	90170-16326	NUT	1	1	1	
18	5NL-16356-00	ROD, PUSH 1	1	1	1	
19	93340-21008	BEARING	1	1	1	
20	90201-080H1	WASHER, PLATE	1	1	1	
21	93440-07182	CIRCLIP	1	1	1	
22	93511-32027	BALL	1	1	1	
23	5NL-16357-10	ROD, PUSH 2	1	1	1	
24	5JG-16381-10	PUSH LEVER COMP.	1	1	1	
25	93317-11287	BEARING	1	1	1	
26	93102-12224	OIL SEAL	1	1	1	
27	4JT-16384-00	PLATE, SEAT	1	1	1	

FIG. 17 CLUTCH



REF. NO.	PART NO.	DESCRIPTION	SUME	SUMF	SUMG	REMARKS
28	95022-06010	BOLT, FLANGE	1	1	1	

FIG. 18 TRANSMISSION



5NL1100-1160

REF. NO.	PART NO.	DESCRIPTION	SUM1	SUMF	SUMG	REMARKS
1	5PH-17411-10	AXLE, MAIN (13T)	1	1	1	
2	93306-20447	BEARING	1	1	1	
3	5UM-17151-00	GEAR,5TH PINION (19T)	1	1	1	
4	90209-20008	WASHER	2	2	2	
5	93410-22039	CIRCLIP	3	3	3	
6	5UM-17131-00	GEAR,3RD PINION (17T)	1	1	1	
7	5UM-17141-00	GEAR, 4TH PINION (21T)	1	1	1	
8	90387-20006	COLLAR	1	1	1	
9	5NL-17121-00	GEAR, 2ND PINION (16T)	1	1	1	
10	93306-00320	BEARING	1	1	1	
11	93306-27208	BEARING	1	1	1	
12	5NL-17402-00	DRIVE AXLE ASSY	1	1	1	
13	5NL-17221-00	GEAR, 2ND WHEEL (28T)	1	1	1	
14	90209-23012	WASHER	1	1	1	
15	93410-26067	CIRCLIP	1	1	1	
16	5UM-17241-00	GEAR, 4TH WHEEL (23T)	1	1	1	
17	5UM-17231-00	GEAR,3RD WHEEL (23T)	1	1	1	
18	90209-20008	WASHER	1	1	1	
19	93410-22039	CIRCLIP	1	1	1	
20	5UM-17251-00	GEAR,5TH WHEEL (17T)	1	1	1	
21	5PH-17211-00	GEAR,1ST WHEEL (31T)	1	1	1	
22	93306-00317	BEARING	1	1	1	
23	93210-196A4	O-RING	1	1	1	
24	90387-22001	COLLAR	1	1	1	
25	93102-28010	OIL SEAL	1	1	1	
26	9383B-13218	SPROCKET, DRIVE (13T)	1	1	1	STD
	9383B-14222	SPROCKET, DRIVE (14T)			1	AP FOR OCE

C14

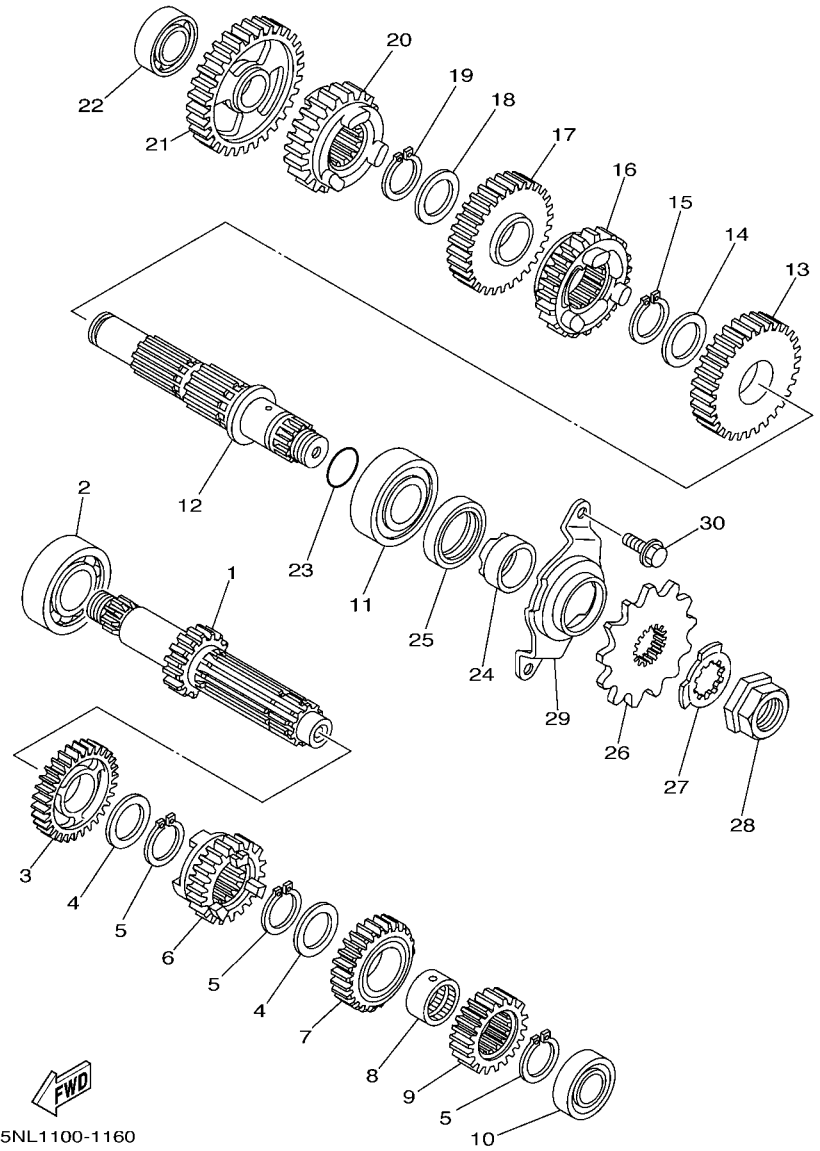
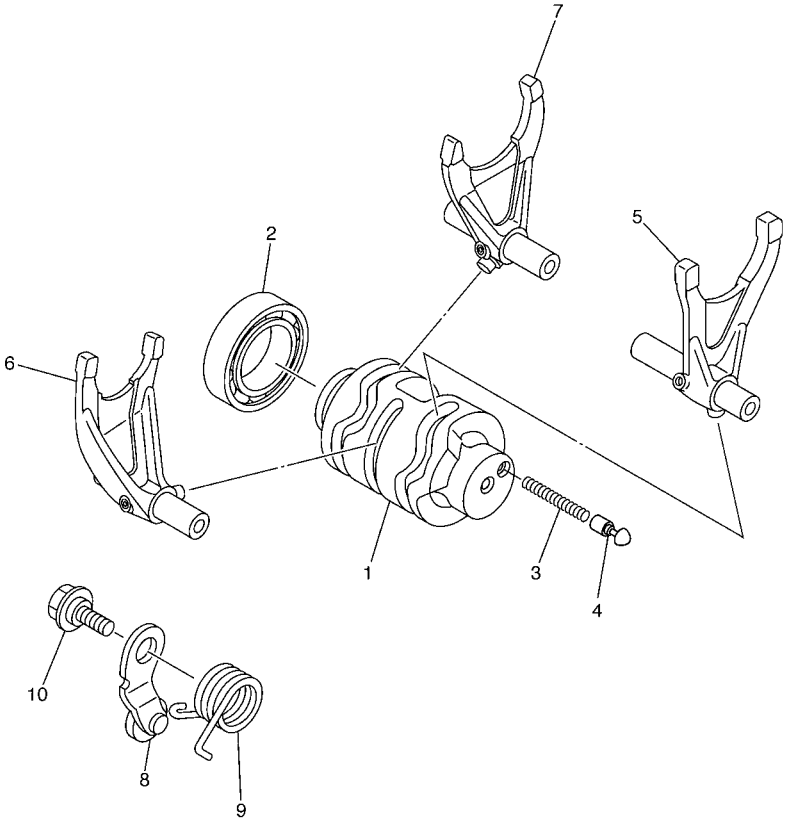


FIG. 18 TRANSMISSION

REF. NO.	PART NO.	DESCRIPTION	SUME	SUMF	SUMG	REMARKS
27	90215-20003	WASHER, LOCK	1	1	1	
28	90179-18001	NUT	1	1	1	
29	5NL-17471-10	PLATE, COVER	1	1	1	
30	90105-06081	BOLT, FLANGE	2	2	2	

FIG. 19 SHIFT CAM & FORK

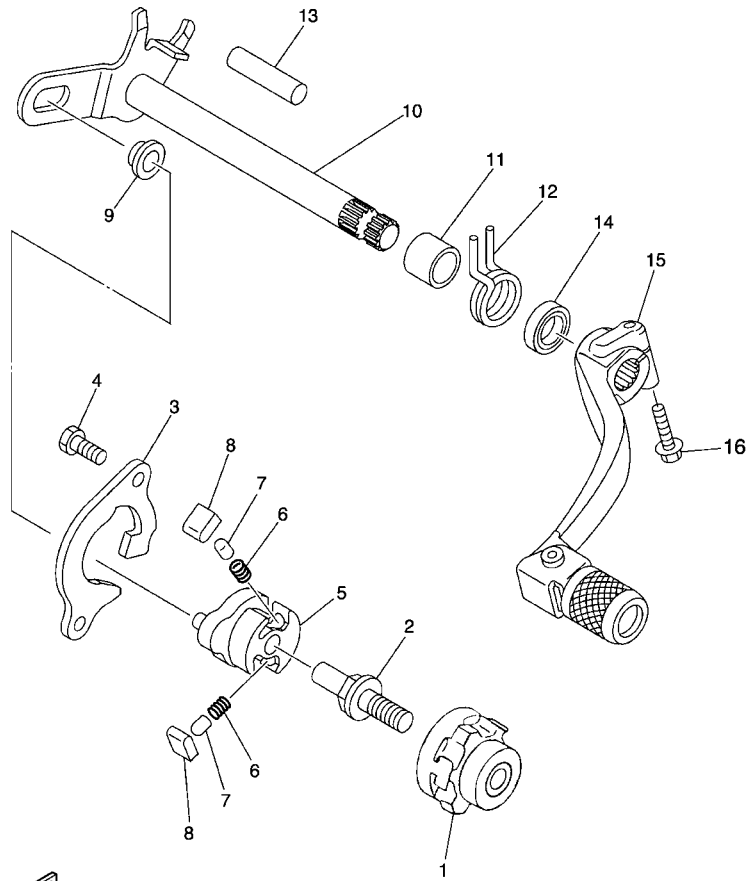


REF. NO.	PART NO.	DESCRIPTION	SUME	SUMF	SUMG	REMARKS
1	5NL-18541-00	CAM, SHIFT	1	1	1	
2	93306-90509	BEARING	1	1	1	
3	90501-06022	SPRING, COMPRESSION	1	1	1	
4	4UN-18542-00	POINT, NEUTRAL	1	1	1	
5	5NL-18501-00	FORK, SHIFT 1	1	1	1	
6	5NL-18502-00	FORK, SHIFT 2	1	1	1	
7	5NL-18503-00	FORK, SHIFT 3	1	1	1	
8	3XK-18140-00	STOPPER LEVER ASSY	1	1	1	
9	90508-26561	SPRING, TORSION	1	1	1	
10	90109-06193	BOLT	1	1	1	



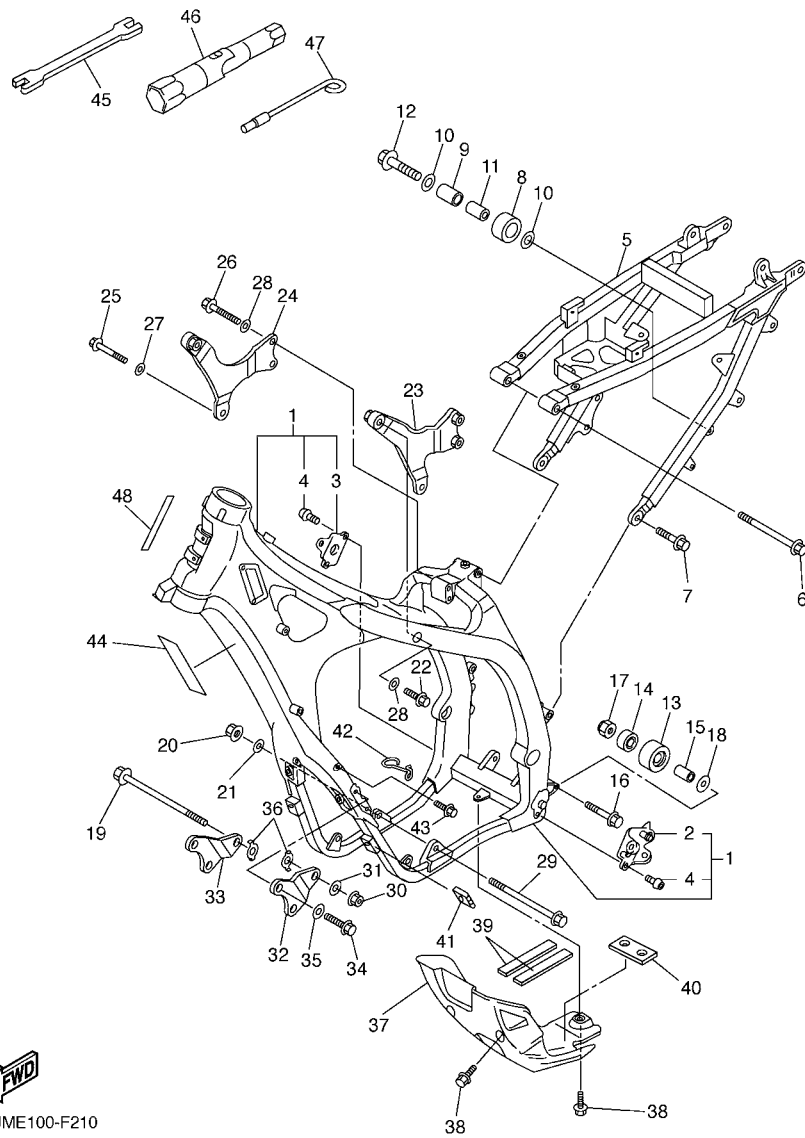
5UMB100-E190

FIG. 20 SHIFT SHAFT



5UME100-F200

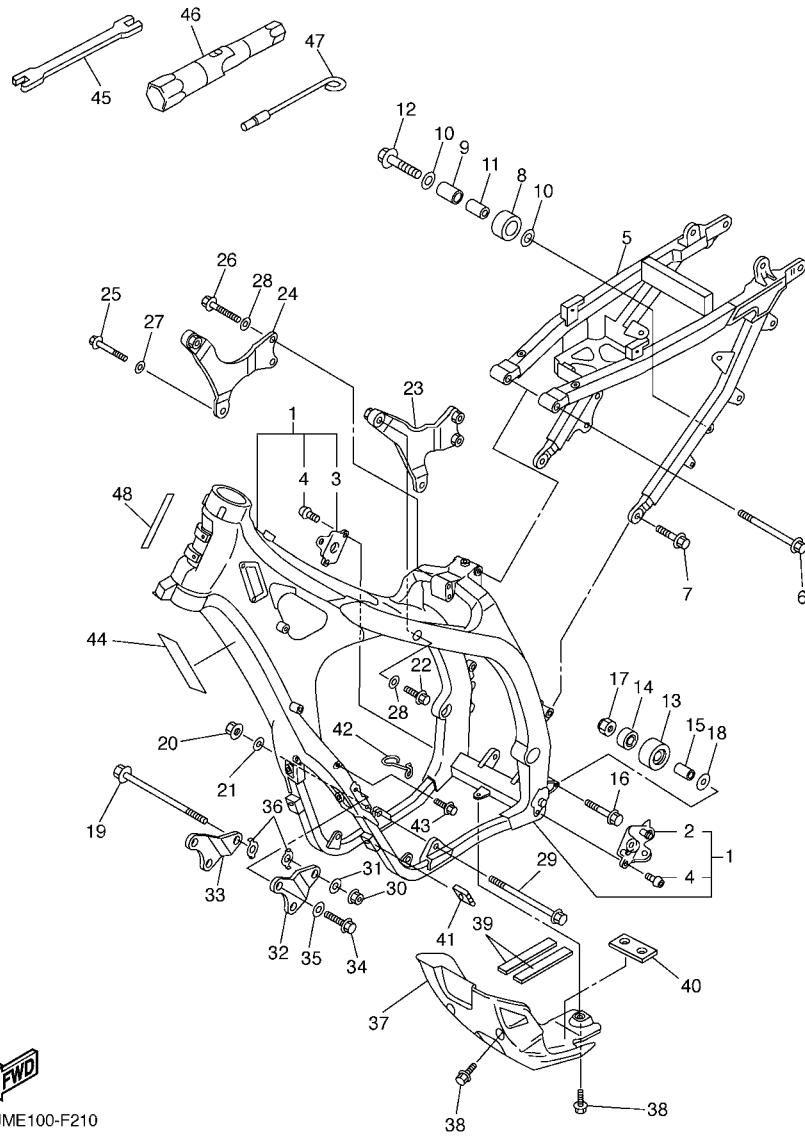
REF. NO.	PART NO.	DESCRIPTION	SUME	SUMF	SUMG	REMARKS
1	2S2-18185-00	SEGMENT	1	1	1	
2	3XJ-18173-10	PIN, SHIFT	1	1	1	
3	5BE-18172-00	GUIDE, SHIFT	1	1	1	
4	90101-06041	BOLT	2	2	2	
5	5LP-18122-01	LEVER, SHIFT 2	1	1	1	
6	90501-052G5	SPRING, COMPRESSION	2	2	2	
7	3XJ-18184-00	PIN, PAWL	2	2	2	
8	3XJ-18182-00	PAWL, SHIFTER	2	2	2	
9	3XJ-18178-00	ROLLER, SHIFT LEVER	1	1	1	
10	5UL-18101-10	SHIFT SHAFT ASSY	1	1	1	
11	90387-124F4	COLLAR	1	1	1	
12	90508-291A8	SPRING, TORSION	1	1	1	
13	93608-33002	PIN, DOWEL	1	1	1	
14	93102-12224	OIL SEAL	1	1	1	
15	5XC-18110-00	SHIFT PEDAL ASSY	1	1	1	
16	95022-06020	BOLT, FLANGE	1	1	1	



SUME100-F210

FIG. 21 FRAME

REF. NO.	PART NO.	DESCRIPTION	SUME	SUMF	SUMG	REMARKS
1	5UM-21101-E0	FRONT FRAME COMP.	1	1	1	
2	5UM-21447-E0	.BRACKET, FOOTREST	1	1	1	
3	1C3-21448-10	.BRACKET, FOOTREST	1	1	1	
4	90149-10031	.SCREW	4	4	4	
5	5UM-21190-E0	REAR FRAME COMP.	1	1	1	
6	90105-08156	BOLT, FLANGE	1	1	1	
7	90105-08307	BOLT, FLANGE	2	2	2	
8	30X-22178-00	TENSIONER	1	1	1	
9	4V4-22184-00	BUSH	1	1	1	
10	90201-08045	WASHER, PLATE	2	2	2	
11	90387-08041	COLLAR	1	1	1	
12	95022-08040	BOLT, FLANGE	1	1	1	
13	3JD-22178-20	TENSIONER	1	1	1	
14	93300-60839	BEARING	1	1	1	
15	90387-086N4	COLLAR	1	1	1	
16	90105-08133	BOLT, FLANGE	1	1	1	
17	90185-08009	NUT, SELF-LOCKING	1	1	1	
18	90201-08043	WASHER, PLATE	1	1	1	
19	90105-10174	BOLT, FLANGE	1	1	1	
20	90179-10658	NUT	1	1	1	
21	90201-10045	WASHER, PLATE	1	1	1	
22	90105-08150	BOLT, FLANGE	2	2	2	
23	5UM-21425-E0	BRACKET, REAR UPPER 1	1	1	1	
24	5UM-21426-E0	BRACKET, REAR UPPER 2	1	1	1	
25	90105-10191	BOLT, FLANGE	1	1	1	
26	90105-08147	BOLT, FLANGE	2	2	2	
27	90201-10045	WASHER, PLATE	1	1	1	



SUME100-F210

FIG. 21 FRAME

REF. NO.	PART NO.	DESCRIPTION	SUME	SUMF	SUMG	REMARKS
28	92902-08200	WASHER	4	4	4	
29	90105-10176	BOLT, FLANGE	1	1	1	
30	90179-10658	NUT	1	1	1	
31	90201-10045	WASHER, PLATE	1	1	1	
32	5UM-21417-E0	BRACKET, FRONT LOWER 1	1	1	1	
33	5UM-21418-E0	BRACKET, FRONT LOWER 2	1	1	1	
34	90105-08143	BOLT, FLANGE	4	4	4	
35	92902-08200	WASHER	4	4	4	
36	5XC-21456-90	PLATE, PATCH	2	2	2	
37	5UM-2147A-E0	GUARD, ENGINE 1	1	1	1	
38	90119-06166	BOLT, WITH WASHER	3	3	3	
39	5UM-21486-E0	DAMPER 2	2	2	2	
40	5UM-21485-E0	DAMPER, RUBBER 1	1	1	1	
41	5UM-21455-E0	PLATE, PATCH	2	2	2	
42	5XC-21288-90	GUIDE, CABLE	1	1	1	
43	90105-05014	BOLT, FLANGE	1	1	1	
44	N/A					
45	5ET-28166-10	WRENCH, HEXAGON	1	1	1	
46	5TA-2814F-00	BOX, SPARK PLUG	1	1	1	
47	5XC-28116-00	TOOL, SPECIAL	1	1	1	
48	5UM-21268-E0	SEAL	1	1	1	

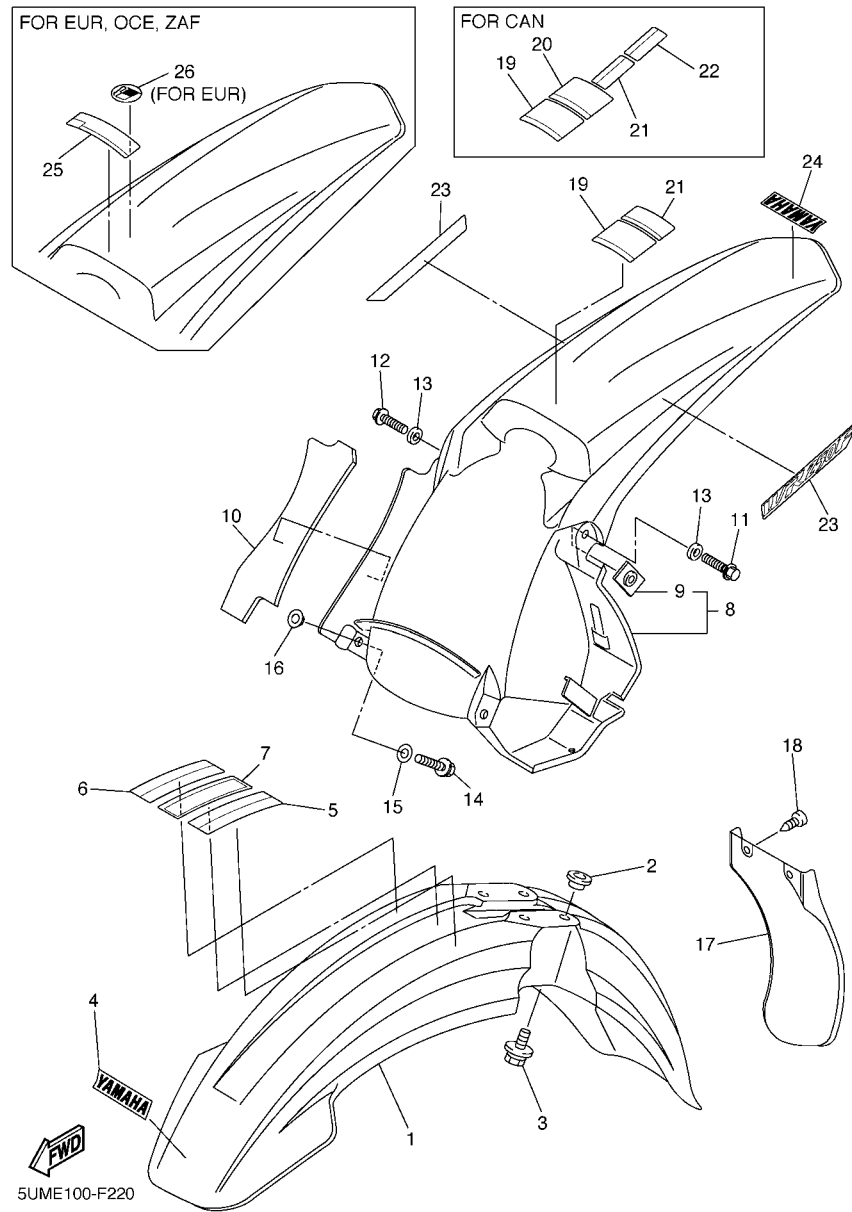
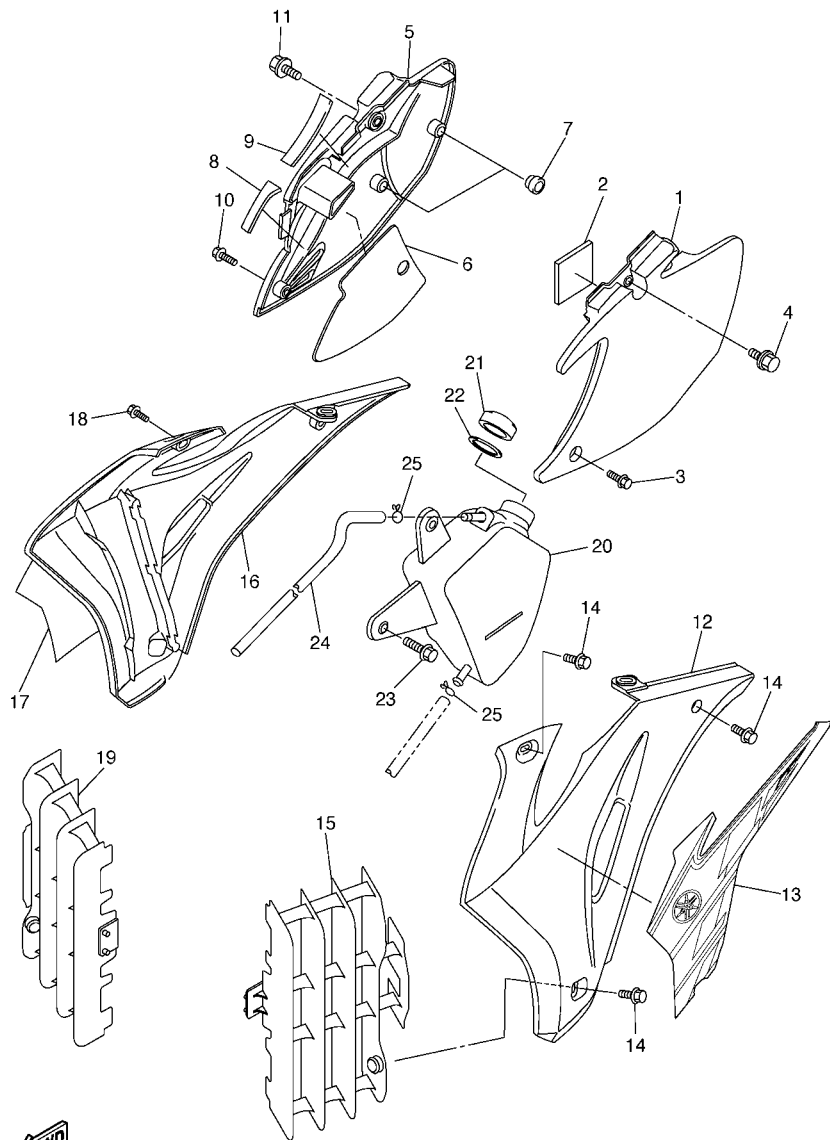


FIG. 22 FENDER

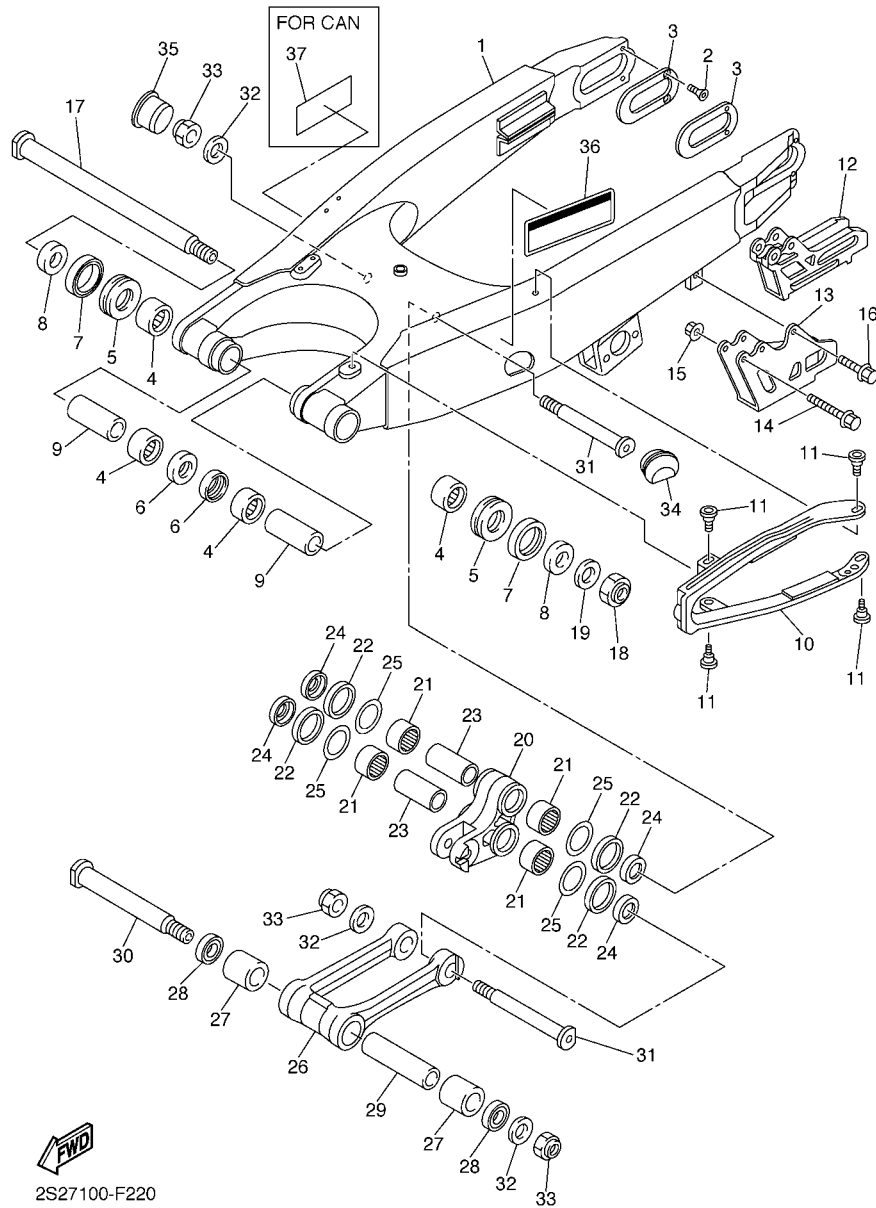
REF. NO.	PART NO.	DESCRIPTION	SUM E	SUM F	SUM G	REMARKS
1	1C3-21511-51	FENDER, FRONT	1	1	1	
2	90387-06090	COLLAR	4	4	4	
3	90119-06147	BOLT, WITH WASHER	4	4	4	
4	4ES-2153E-01	EMBLEM, YAMAHA	1	1	1	
5	N/A					
6	N/A					
7	N/A					
8	5UM-21610-E0	REAR FENDER COMP.	1	1	1	
9	5XE-21635-10	.NUT, REAR FENDER	2	2	2	
10	5UM-2174T-E0	INSULATOR, SIDE COVER 2	1	1	1	
11	90105-06127	BOLT, FLANGE	1	1	1	
12	90105-06100	BOLT, FLANGE	1	1	1	
13	90201-06032	WASHER, PLATE	2	2	2	
14	90105-06106	BOLT, FLANGE	2	2	2	
15	90201-06571	WASHER, PLATE	2	2	2	
16	90387-06009	COLLAR	2	2	2	
17	5TA-21642-00	GUARD, FLAP	1	1	1	
18	97702-60016	SCREW, TAPPING	2	2	2	
19	N/A					
20	N/A					
21	N/A					
22	N/A					
23	5UM-2163G-20	EMBLEM 1	2	2	2	
24	5UM-2153E-00	EMBLEM, YAMAHA	1	1	1	
25	5PA-21568-00	LABEL, WARNING		1	1	FOR EUR,OCE,ZAF
26	N/A					

FIG. 23 SIDE COVER



FWD
5UME100-F230

REF. NO.	PART NO.	DESCRIPTION	SUM1	SUMF	SUMG	REMARKS
1	5UM-21711-E0	COVER, SIDE 1	1	1	1	
2	5UM-21717-E0	DAMPER	1	1	1	
3	90105-06103	BOLT, FLANGE	1	1	1	
4	90119-08095	BOLT, WITH WASHER	1	1	1	
5	5UM-21721-E0	COVER, SIDE 2	1	1	1	
6	5UM-2174A-E0	INSULATOR, SIDE COVER	1	1	1	
7	5XC-21719-90	GROMMET	2	2	2	
8	5UM-2172S-E0	INSULATOR 3	1	1	1	
9	5UM-2173S-E0	INSULATOR 4	1	1	1	
10	90105-06103	BOLT, FLANGE	1	1	1	
11	90119-08095	BOLT, WITH WASHER	1	1	1	
12	5UM-21730-E0	SIDE COVER ASSY 3	1	1	1	
13	5TJ-2173E-30	GRAPHIC 1	1	1	1	
14	90105-06064	BOLT, FLANGE	4	4	4	
15	2S2-2172A-70	PANEL 1	1	1	1	
16	5UM-21740-E0	SIDE COVER ASSY 4	1	1	1	
17	5TJ-2173F-30	GRAPHIC 2	1	1	1	
18	90105-06064	BOLT, FLANGE	4	4	4	
19	2S2-2172A-80	PANEL 1	1	1	1	
20	5UM-21860-E0	TANK ASSY	1	1	1	
21	26H-21875-00	CAP	1	1	1	
22	26H-21874-00	GASKET	1	1	1	
23	90119-06146	BOLT, WITH WASHER	1	1	1	
24	5UM-1244J-E0	HOSE 6	1	1	1	
25	90467-090A2	CLIP	2	2	2	



2S27100-F220

FIG. 24 REAR ARM

REF. NO.	PART NO.	DESCRIPTION	SUME	SUMF	SUMG	REMARKS
1	2S2-22110-70	REAR ARM COMP.	1	1	1	
2	90151-04003	SCREW, COUNTERSUNK	4	4	4	
3	1P8-22355-00	PATCH	2	2	2	
4	93317-22262	BEARING	4	4	4	
5	93342-22217	BEARING	2	2	2	
6	93106-22002	OIL SEAL	2	2	2	
7	93109-28043	OIL SEAL	2	2	2	
8	90387-18012	COLLAR	2	2	2	
9	90387-18004	COLLAR	2	2	2	
10	2S2-22151-70	SEAL, GUARD	1	1	1	
11	1C3-22969-90	SCREW, 1	4	4	4	
12	5UM-22199-E0	SUPPORT, CHAIN	1	1	1	
13	2S2-22128-70	COVER, THRUST 1	1	1	1	
14	90105-06104	BOLT, FLANGE	2	2	2	
15	90179-06028	NUT	2	2	2	
16	90105-06105	BOLT, FLANGE	1	1	1	
17	1C3-22141-10	SHAFT, PIVOT	1	1	1	
18	90185-16002	NUT, SELF-LOCKING	1	1	1	
19	90201-16018	WASHER, PLATE	1	1	1	
20	5XC-2217A-90	ARM, RELAY	1	1	1	
21	93315-32166	BEARING	4	4	4	
22	93109-25001	OIL SEAL	4	4	4	
23	90387-16010	COLLAR	2	2	2	
24	90209-16011	WASHER	4	4	4	
25	90201-21014	WASHER, PLATE	4	4	4	
26	5XC-2217F-90	ROD, CONNECTING 1	1	1	1	
27	93315-32269	BEARING	2	2	2	

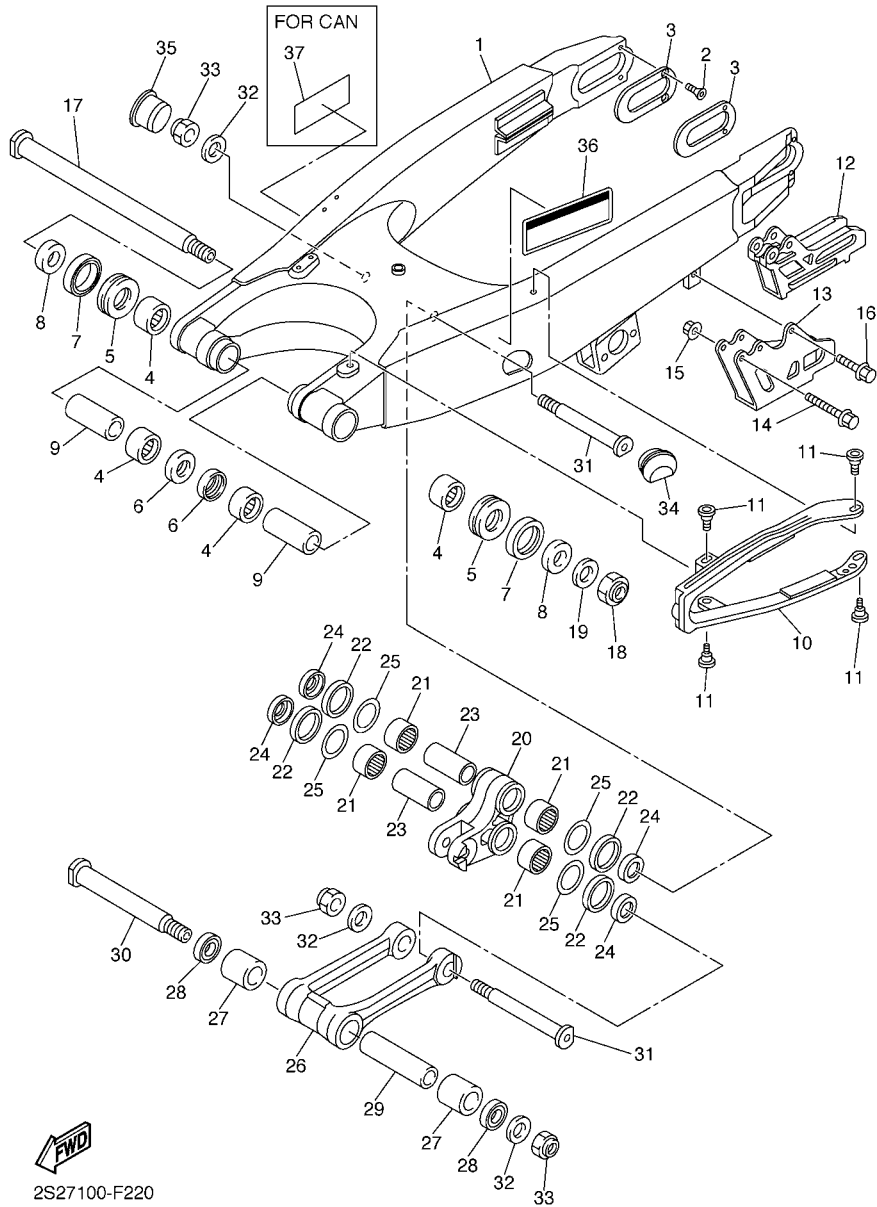
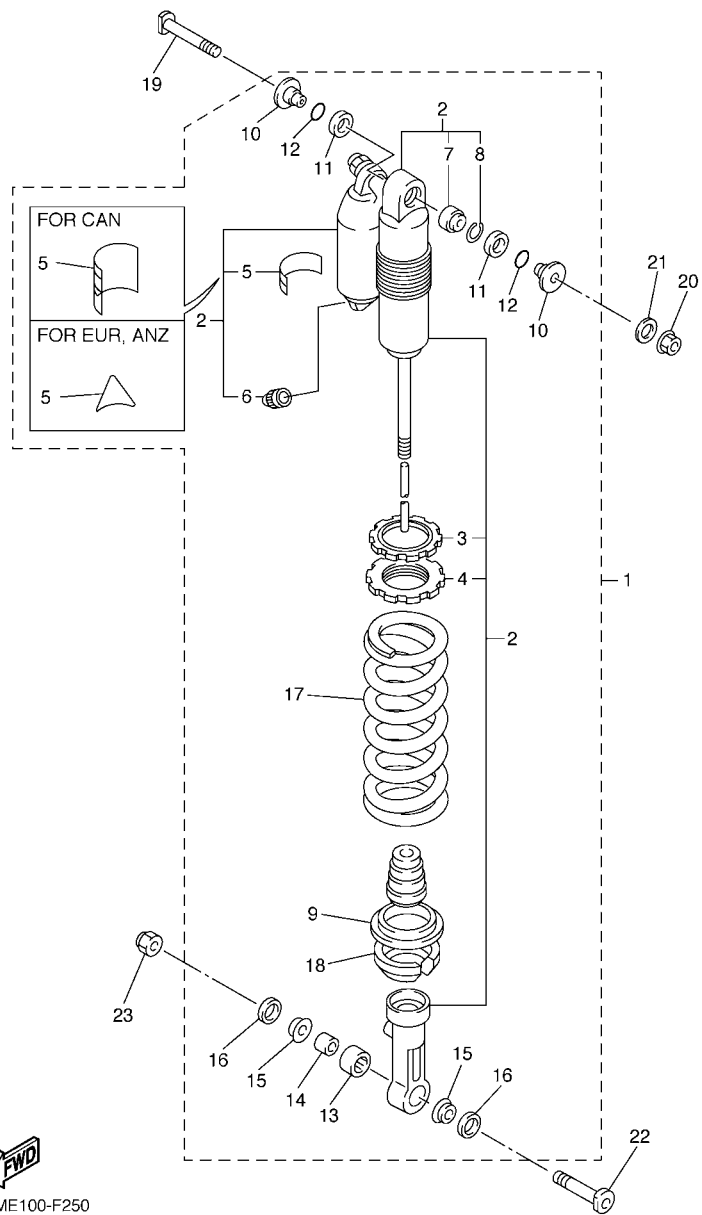


FIG. 24 REAR ARM

REF. NO.	PART NO.	DESCRIPTION	SUME	SUMF	SUMG	REMARKS
28	93109-22019	OIL SEAL	2	2	2	
29	90387-14009	COLLAR	1	1	1	
30	5XC-22121-91	SHAFT 1	1	1	1	
31	1C3-22122-00	SHAFT 2	2	2	2	
32	90201-14020	WASHER, PLATE	3	3	3	
33	90185-14010	NUT, SELF-LOCKING	3	3	3	
34	1C3-2135F-00	COVER	1	1	1	
35	1C3-2139R-00	COVER 2	1	1	1	
36	3RV-21668-A0	LABEL, TIRE	1	1	1	
37	N/A					

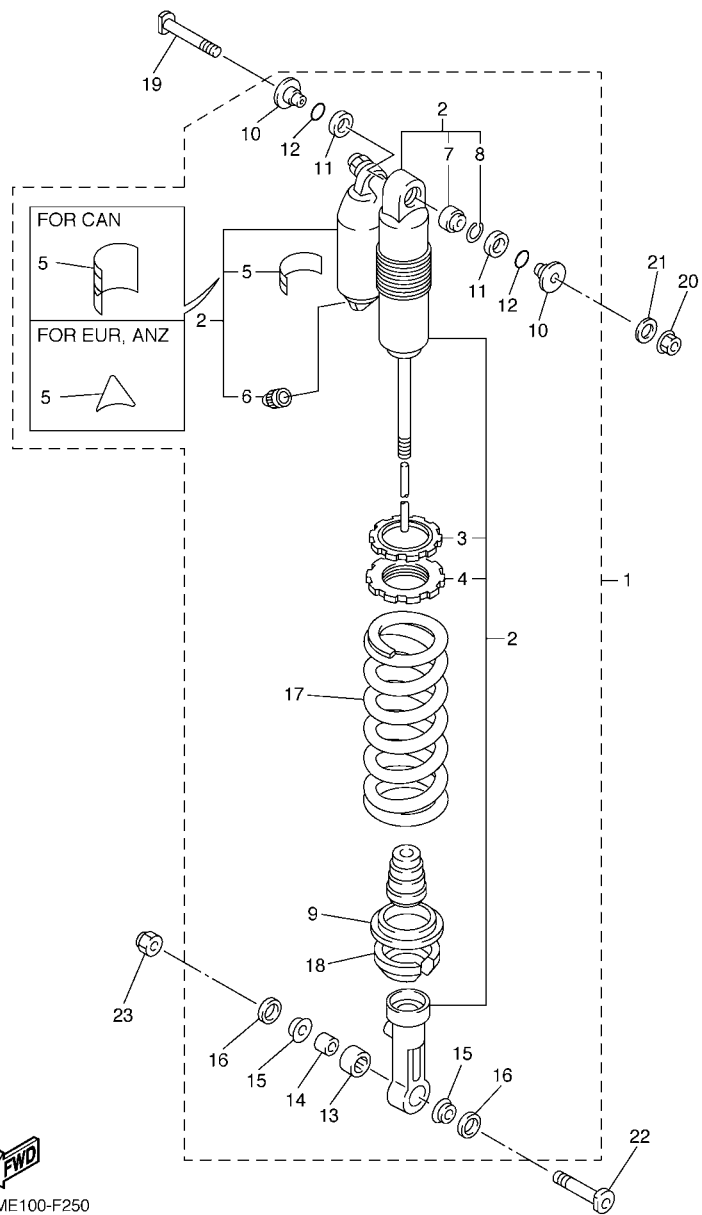
FIG. 25 REAR SUSPENSION



FWD
5UME100-F250

REF. NO.	PART NO.	DESCRIPTION	SUME	SUMF	SUMG	REMARKS
1	5UM-22210-G0	SHOCK ABSORBER ASSY, REAR			1	FOR ZAF
2	5UM-22201-G0	.DAMPER SUB ASSY			1	
3	3SP-22234-00	..GUIDE, SPRING 3	1	1	1	
4	3SP-22213-00	..SEAT, SPRING UPPER	1	1	1	
5	4AA-22259-40	..LABEL, WARNING			1	
6	509-23184-L0	..CAP, AIR VALVE	1	1	1	
7	4JX-22226-00	..BUSH, SHOCK ABSORBER LOWER	1	1	1	
8	5DH-23183-00	..CIRCLIP	1	1	1	
9	5MV-22224-00	.GUIDE, SPRING 2	1	1	1	
10	1C3-22253-50	.COLLAR, DISTANCE	2	2	2	
11	3JE-22475-00	.SEAL, DUST	2	2	2	
12	4EW-22474-00	.SEAL, RING	2	2	2	
13	5UN-22176-00	.BEARING	1	1	1	
14	5MV-22184-00	.BUSH	1	1	1	
15	5MV-22253-00	.COLLAR, DISTANCE	2	2	2	
16	5NY-22475-00	.SEAL, DUST	2	2	2	
17	5UN-22212-50	.SPRING (K=52N/MM)	1	1	1	
18	5XE-22214-00	.GUIDE, SPRING 1	1	1	1	
19	5XE-22242-00	BOLT 2	1	1	1	

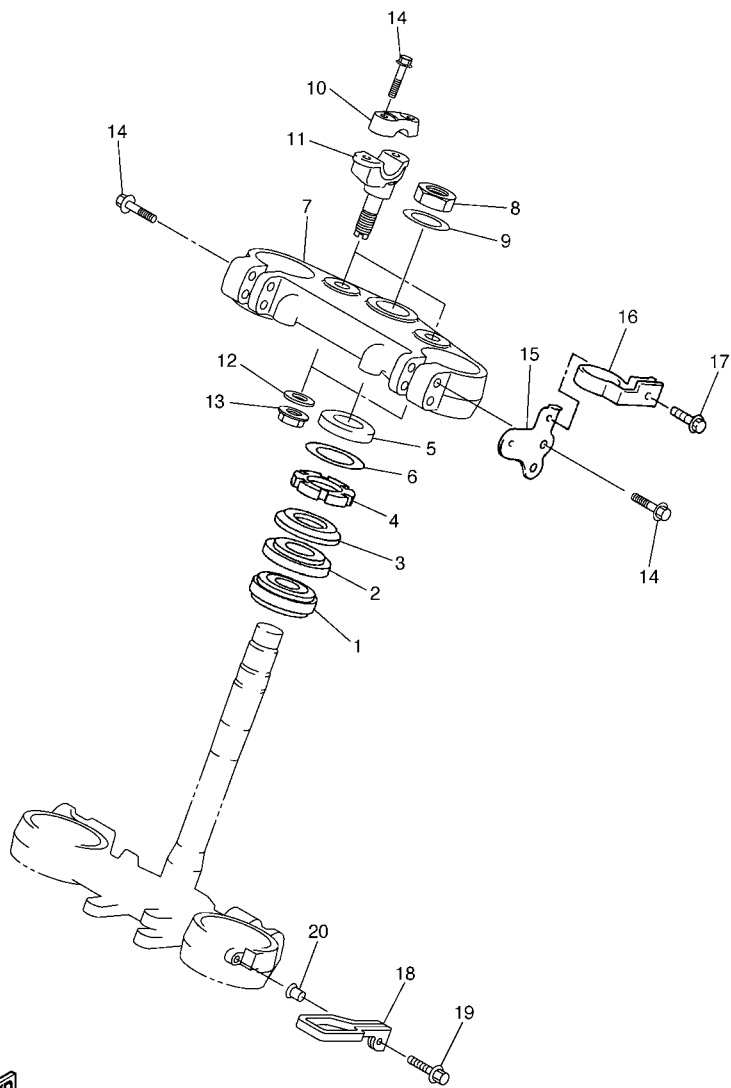
FIG. 25 REAR SUSPENSION



FWD
5UME100-F250

REF. NO.	PART NO.	DESCRIPTION	SUME	SUMF	SUMG	REMARKS
20	95602-10200	NUT, U FLANGE	1	1	1	
21	92902-10200	WASHER	1	1	1	
22	5NY-22241-00	BOLT 1	1	1	1	
23	90185-10012	NUT, SELF-LOCKING	1	1	1	

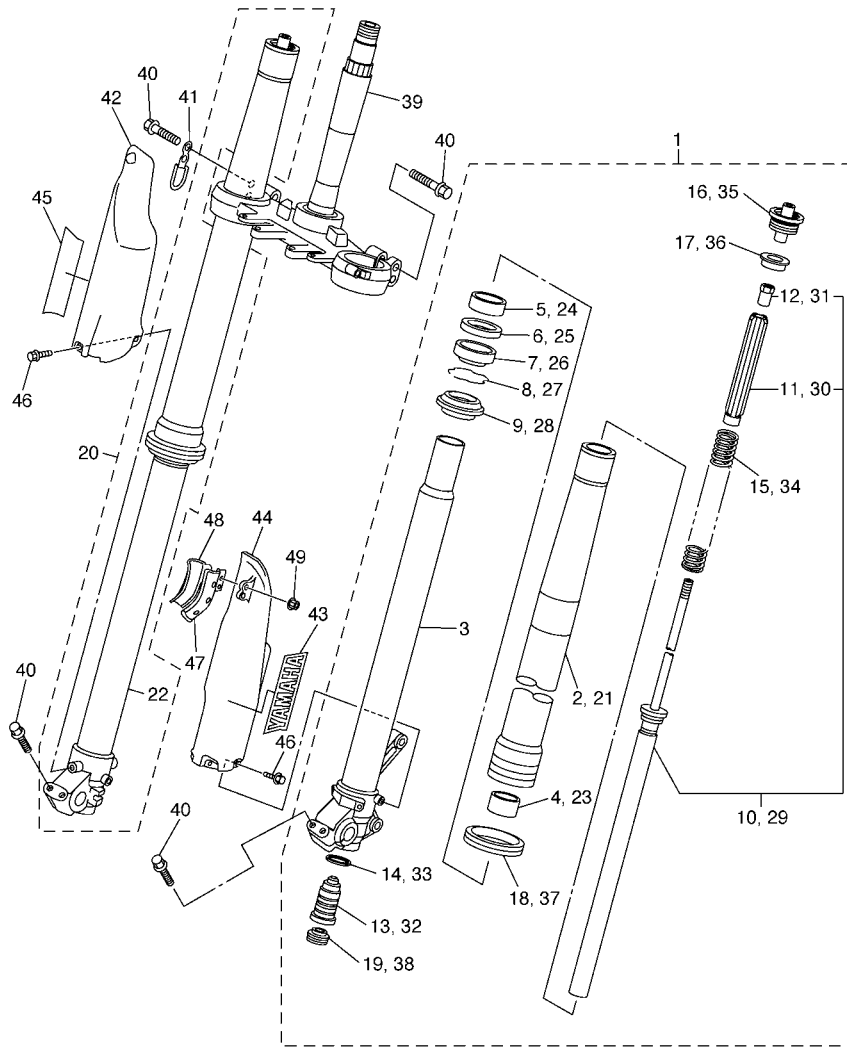
D11



FWD
5UME100-F260

FIG. 26 STEERING

REF. NO.	PART NO.	DESCRIPTION	SUME	SUMF	SUMG	REMARKS
1	93332-00081	BEARING	1	1	1	
2	93332-00068	BEARING	1	1	1	
3	4EW-23416-00	COVER, BALL RACE 2	1	1	1	
4	90179-28003	NUT	1	1	1	
5	5UM-23113-E0	COLLAR	1	1	1	
6	90201-286K9	WASHER, PLATE	1	1	1	
7	5UM-23435-E0	CROWN, HANDLE	1	1	1	
8	90170-24003	NUT	1	1	1	
9	90201-24016	WASHER, PLATE	1	1	1	
10	5XC-23441-90	HOLDER, HANDLE UPPER	2	2	2	
11	5UM-23442-E0	HOLDER, HANDLE LOWER	2	2	2	
12	92902-10200	WASHER	2	2	2	
13	95602-10200	NUT, U FLANGE	2	2	2	
14	90105-08154	BOLT, FLANGE	8	8	8	
15	5UM-2831V-E0	STAY, HEAD LIGHT 1	1	1	1	
16	5TJ-2331E-80	GUIDE, CABLE	1	1	1	
17	90105-05016	BOLT, FLANGE	1	1	1	
18	5TJ-23389-80	GUIDE, CABLE	1	1	1	
19	90105-06107	BOLT, FLANGE	1	1	1	
20	90387-06104	COLLAR	1	1	1	



5TJB100-E270

FIG. 27 FRONT FORK

REF. NO.	PART NO.	DESCRIPTION	SUM E	SUM F	SUM G	REMARKS
1	5UM-23102-E0	FRONT FORK ASSY (L.H)	1		1	UR FOR USA,CAN
	5UM-23102-F0	FRONT FORK ASSY (L.H)		1	1	UR FOR EUR,OCE
2	5TJ-23136-C0	.TUBE, OUTER (RIGHT)	1	1	1	
3	5TJ-23120-C0	.INNER TUBE COMP.2	1	1	1	
4	5XE-23171-L0	.PISTON, FRONT FORK	1	1	1	
5	5XE-23125-L0	.METAL, SLIDE 1	1	1	1	
6	5XE-23146-L0	.WASHER, OIL SEAL	1	1	1	
7	1C3-23145-L0	.OIL SEAL	1	1	1	
8	5XE-23153-L0	.RING, SNAP	1	1	1	
9	5XE-23144-L0	.SEAL, DUST	1	1	1	
10	5UM-23170-E0	.CYLINDER COMP., FRONT FORK	1	1	1	
11	5XE-23142-L0	..SEAT, SPRING UPPER	1	1	1	
12	5XE-23393-L0	..NUT, SPECIAL	1	1	1	
13	5TJ-2316A-E0	.VALVE COMP.	1		1	UR FOR USA,CAN
	5UM-2316A-F0	.VALVE COMP.		1	1	UR FOR EUR,OCE
14	4SS-23158-L0	.GASKET	1	1	1	
15	5TJ-23141-A0	.SPRING,FRONT FORK(K=4.4N/MM)	1	1	1	
16	5XE-23111-L0	.BOLT, CAP	1	1	1	
17	5XE-23117-L0	.GUIDE, SPRING	1	1	1	
18	1C3-2314F-M0	.PROTECTOR GUIDE COMP., 1	1	1	1	
19	3JD-2312G-L0	.PLUG	1	1	1	
20	5UM-23103-E0	FRONT FORK ASSY (R.H)	1		1	UR FOR USA,CAN
	5UM-23103-F0	FRONT FORK ASSY (R.H)		1	1	UR FOR EUR,OCE
21	5TJ-23136-C0	.TUBE, OUTER (RIGHT)	1	1	1	
22	5TJ-23110-C0	.INNER TUBE COMP.1	1	1	1	
23	5XE-23171-L0	.PISTON, FRONT FORK	1	1	1	
24	5XE-23125-L0	.METAL, SLIDE 1	1	1	1	

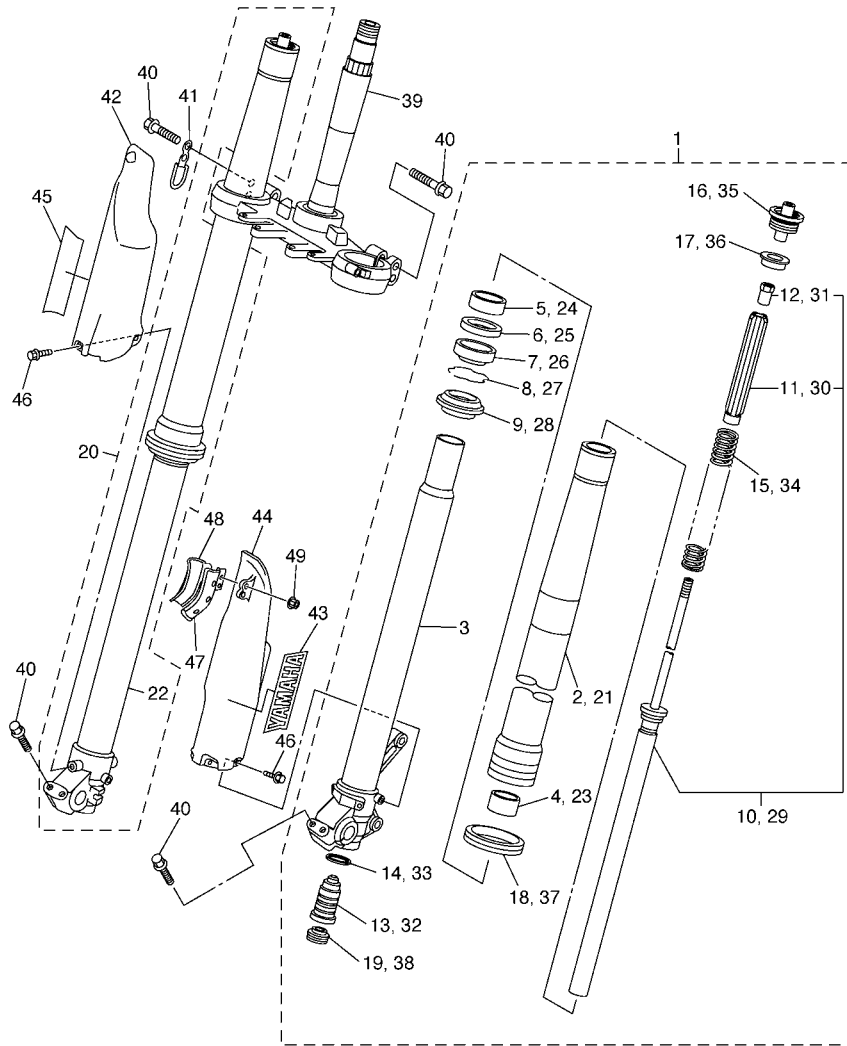
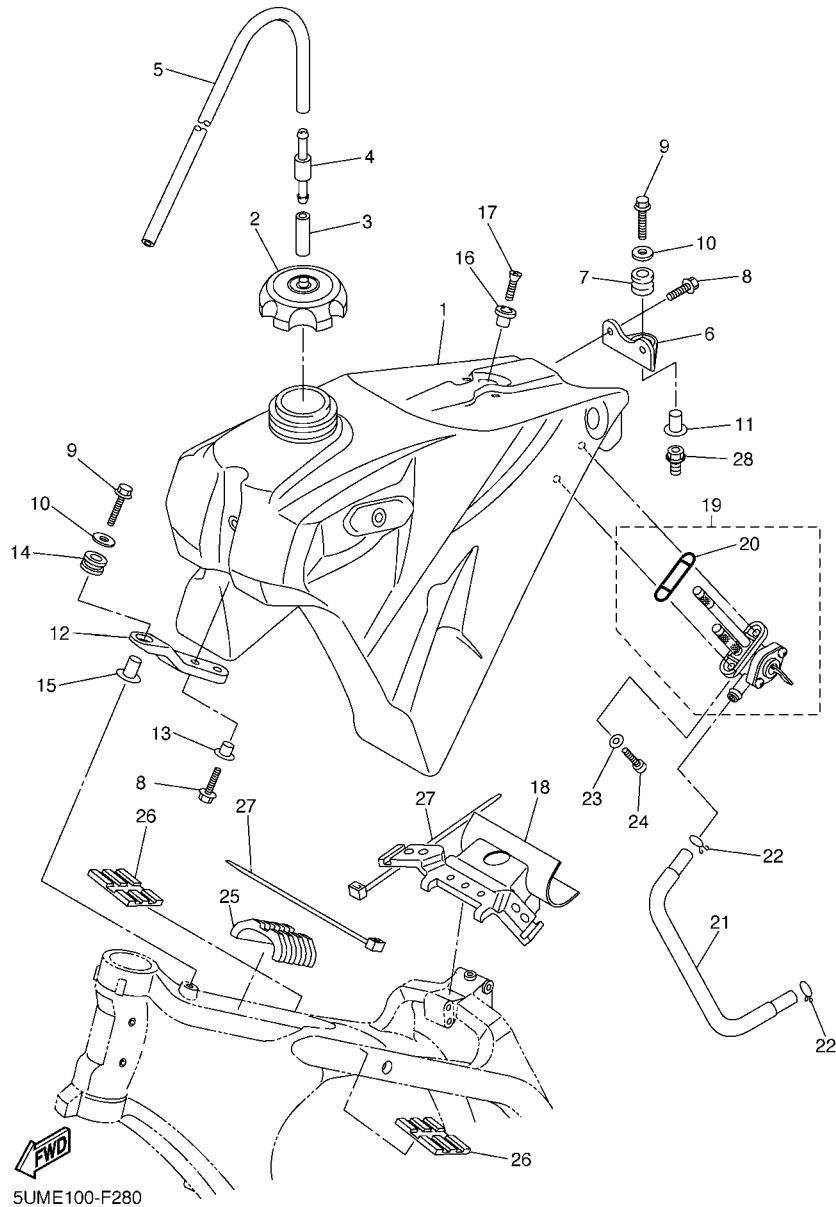


FIG. 27 FRONT FORK

REF. NO.	PART NO.	DESCRIPTION	SUME	SUMF	SUMG	REMARKS
25	5XE-23146-L0	.WASHER, OIL SEAL	1	1	1	
26	1C3-23145-L0	.OIL SEAL	1	1	1	
27	5XE-23153-L0	.RING, SNAP	1	1	1	
28	5XE-23144-L0	.SEAL, DUST	1	1	1	
29	5UM-23170-E0	.CYLINDER COMP., FRONT FORK	1	1	1	
30	5XE-23142-L0	..SEAT, SPRING UPPER	1	1	1	
31	5XE-23393-L0	..NUT, SPECIAL	1	1	1	
32	5TJ-2316A-E0	.VALVE COMP.	1	1	1	UR FOR USA,CAN
	5UM-2316A-F0	.VALVE COMP.		1	1	UR FOR EUR,OCE
33	4SS-23158-L0	.GASKET	1	1	1	
34	5TJ-23141-A0	.SPRING,FRONT FORK(K=4.4N/MM)	1	1	1	
35	5XE-23111-L0	.BOLT, CAP	1	1	1	
36	5XE-23117-L0	.GUIDE, SPRING	1	1	1	
37	1C3-2314F-M0	.PROTECTOR GUIDE COMP., 1	1	1	1	
38	3JD-2312G-L0	.PLUG	1	1	1	
39	5UM-23340-L0	UNDER BRACKET COMP.	1	1	1	
40	90105-08134	BOLT, FLANGE	8	8	8	
41	5TJ-23525-C0	GUIDE	1	1	1	
42	5TJ-2315J-C0	PROTECTOR 2	1	1	1	
43	4XL-2153A-10	EMBLEM, YAMAHA	1	1	1	
44	1C3-2315H-10	PROTECTOR 1	1	1	1	
45	4XL-2153A-10	EMBLEM, YAMAHA	1	1	1	
46	3SP-23356-L0	BOLT 2	6	6	6	
47	1C3-23466-50	CLAMP	1	1	1	
48	1C3-23467-50	CLAMP	1	1	1	
49	95702-06500	NUT, FLANGE	2	2	2	



5TJB100-E270



5UME100-F280

FIG. 28 FUEL TANK

REF. NO.	PART NO.	DESCRIPTION	SUM1	SUMF	SUMG	REMARKS
1	5UM-24110-E0	FUEL TANK COMP.	1	1	1	
2	5NY-24610-00	CAP ASSY	1	1	1	
3	90445-09220	HOSE (L30)	1	1	1	
4	3XJ-24380-00	PIPE JOINT ASSY	1	1	1	
5	90445-09251	HOSE (L350)	1	1	1	
6	5XE-24144-00	HOLDER, DAMPER	1	1	1	
7	90480-18549	GROMMET	1	1	1	
8	90105-06107	BOLT, FLANGE	4	4	4	
9	90105-06111	BOLT, FLANGE	2	2	2	
10	90201-06570	WASHER, PLATE	2	2	2	
11	3JD-24186-00	WASHER, SPECIAL	1	1	1	
12	5UM-2419A-E0	HOLDER	1	1	1	
13	90387-06090	COLLAR	2	2	2	
14	5XC-24339-90	GROMMET	1	1	1	
15	90387-06065	COLLAR	1	1	1	
16	4EW-2412F-00	BRACKET, SEAT	1	1	1	
17	98702-06025	SCREW, FLAT HEAD	1	1	1	
18	5UM-24181-E0	DAMPER, LOCATING 1	1	1	1	
19	5UM-24500-E0	FUEL COCK ASSY 1	1	1	1	
20	1P6-24512-00	.GASKET	1	1	1	
21	5UM-24311-E0	PIPE, FUEL 1	1	1	1	
22	90467-100A1	CLIP	2	2	2	
23	90202-05193	WASHER, PLATE	2	2	2	
24	90149-06108	SCREW	2	2	2	
25	5XC-24182-90	DAMPER, LOCATING 2	1	1	1	
26	5XC-24183-90	DAMPER, LOCATING 3	2	2	2	
27	90465-13275	CLAMP	3	3	3	

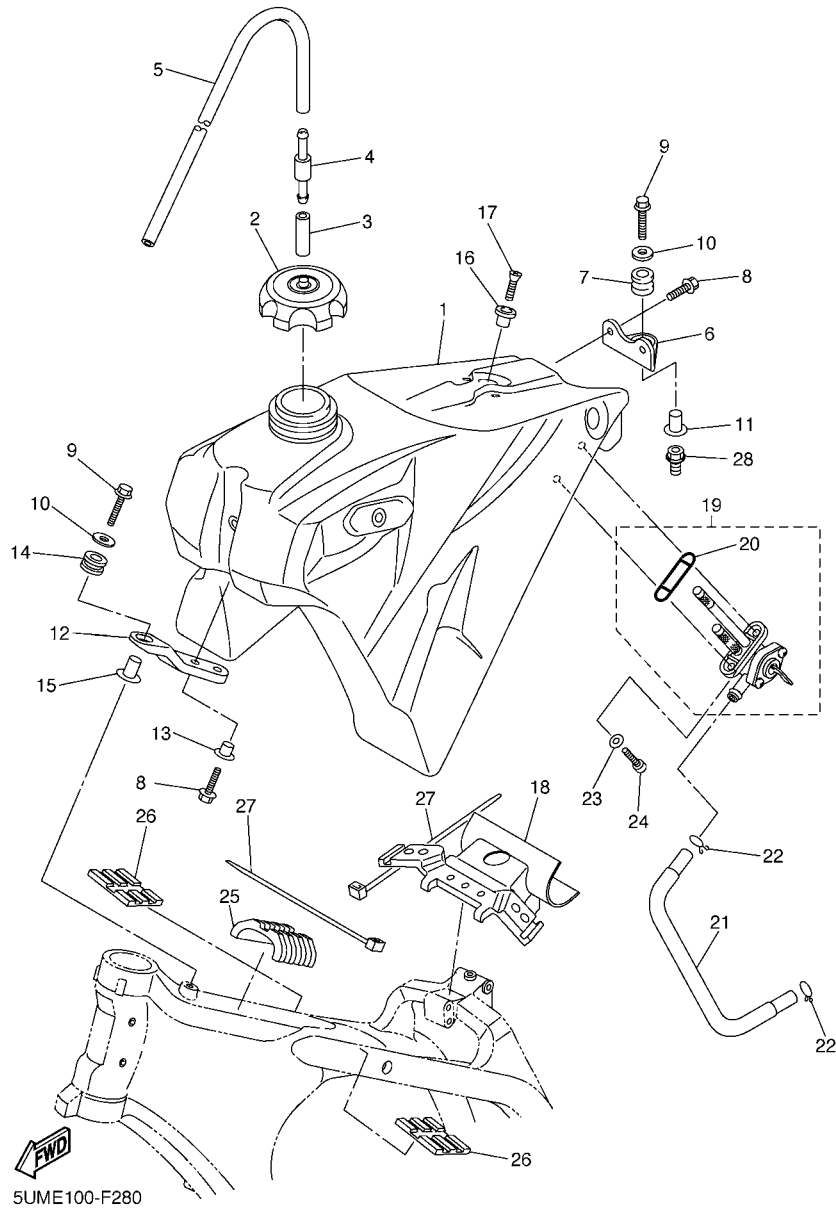
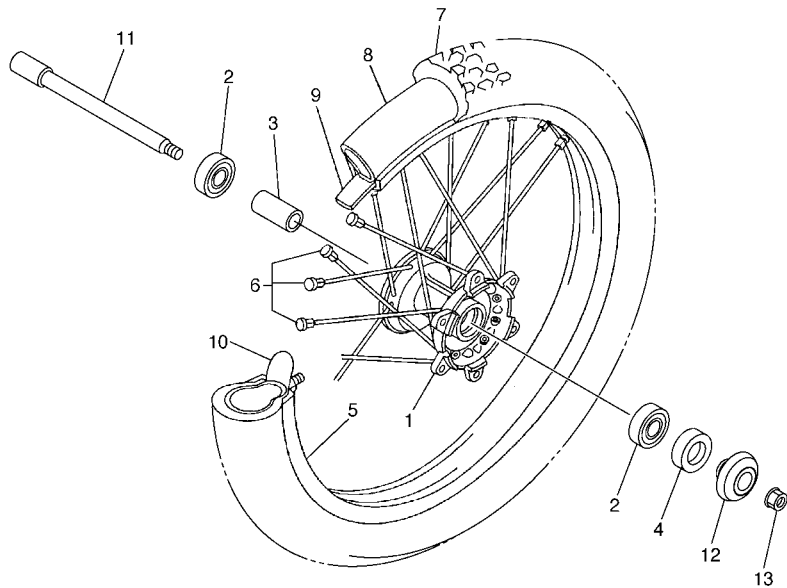


FIG. 28 FUEL TANK

REF. NO.	PART NO.	DESCRIPTION	SUME	SUMF	SUMG	REMARKS
28	1C3-21244-10	NUT	1	1	1	

FIG. 30 FRONT WHEEL

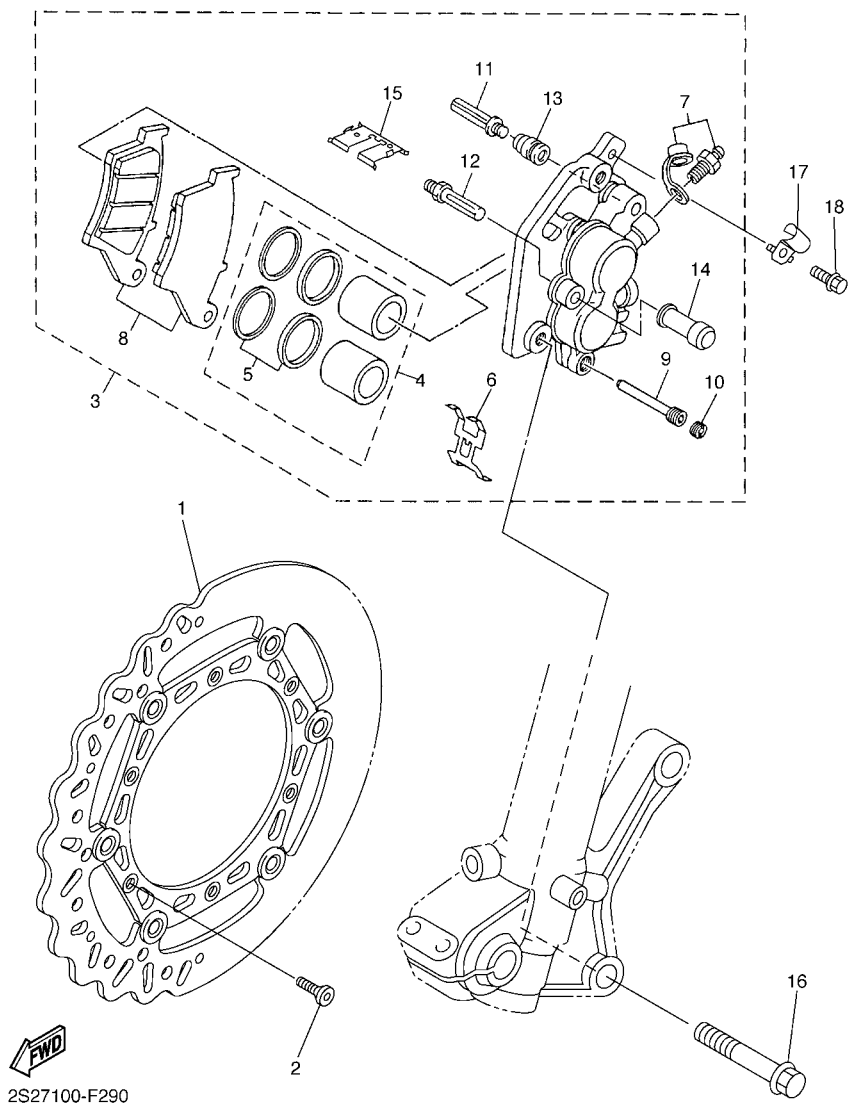


REF. NO.	PART NO.	DESCRIPTION	SUME	SUMF	SUMG	REMARKS
1	5NG-25111-50	HUB, FRONT	1	1	1	
2	93306-90409	BEARING	2	2	2	
3	5NY-25117-00	SPACER, BEARING	1	1	1	
4	93102-26468	OIL SEAL	1	1	1	
5	94416-21005	RIM (1.60-21)	1	1	1	
6	5NY-25104-00	SPOKE SET, FRONT	1	1	1	
7	L.M.	TIRE (80/100-21 51M D739FA)			1	
8	L.M.	TUBE (80/100-21 M/C TR4)			1	
9	94309-21161	BAND, RIM (1.60-21)	1	1	1	DUNLOP
10	5SF-25394-00	SPACER, BEAD	1	1	1	
11	1C3-25181-10	AXLE, WHEEL	1	1	1	
12	5TJ-2510C-80	COLLAR ASSY.	1	1	1	
13	90179-16011	NUT	1	1	1	

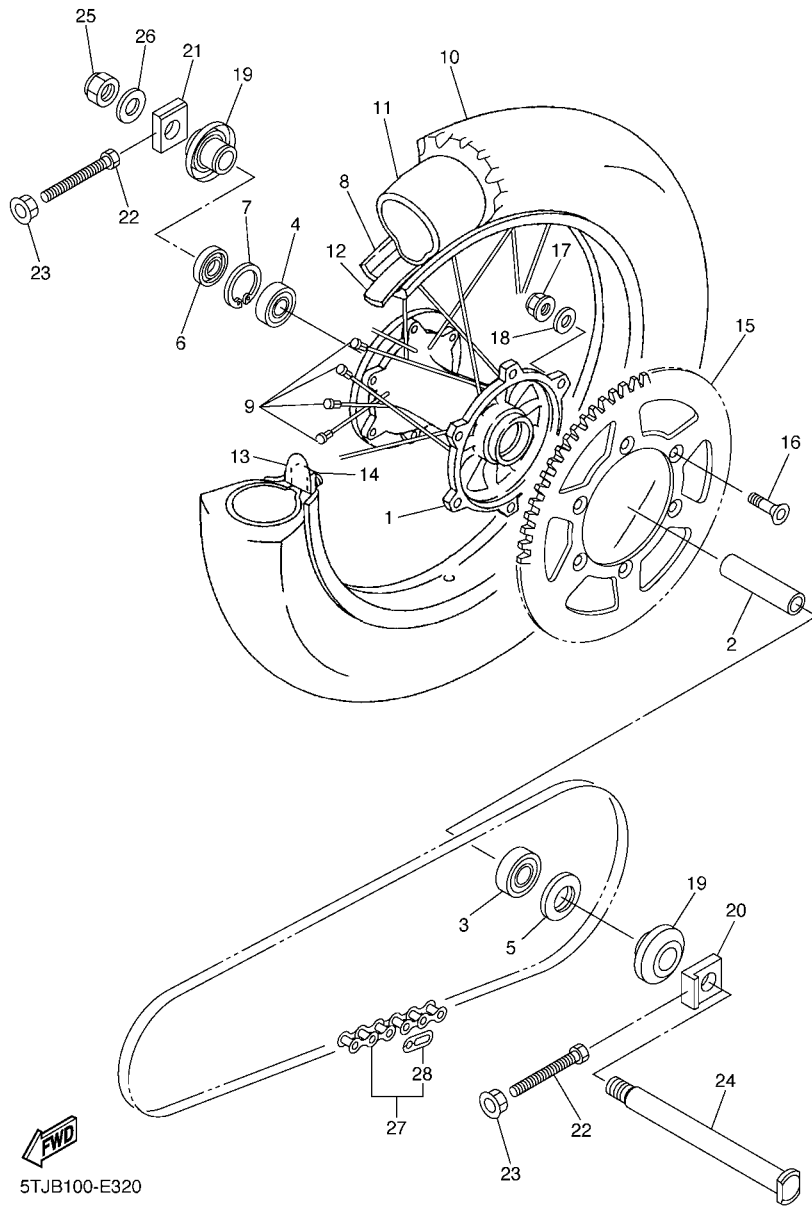


5TJB100-E300

FIG. 31 FRONT BRAKE CALIPER



REF. NO.	PART NO.	DESCRIPTION	SUM E	SUM F	SUM G	REMARKS
1	2S2-2581T-70	DISK BRAKE ASSY	1	1	1	
2	90149-06327	SCREW	6	6	6	
3	1C3-2580T-00	CALIPER ASSY (LEFT)	1	1	1	
4	5UN-W0057-00	.PISTON ASSY, CALIPER	1	1	1	
5	3JD-W0047-00	..CALIPER SEAL KIT	1	1	1	
6	5DH-25919-00	.SUPPORT, PAD	1	1	1	
7	1UY-W0048-50	.BLEED SCREW KIT	1	1	1	
8	5MV-W0045-01	.BRAKE PAD KIT	1	1	1	
9	5DH-25933-00	.PIN, PAD	1	1	1	
10	5DH-25916-00	.PLUG	1	1	1	
11	3SP-25926-51	.BOLT	1	1	1	
12	3SP-25914-51	.PIN, SLIDE	1	1	1	
13	3JD-25917-00	.BOOT, CALIPER	1	1	1	
14	1UY-25937-51	.BOOT 2	1	1	1	
15	5DH-25849-00	.RETAINER, CALIPER	1	1	1	
16	90105-08137	BOLT, FLANGE	2	2	2	
17	1C3-25875-50	HOLDER, BRAKE HOSE 1	1	1	1	
18	90105-06105	BOLT, FLANGE	1	1	1	



5TJB100-E320

FIG. 32 REAR WHEEL

REF. NO.	PART NO.	DESCRIPTION	SUM E	SUM F	SUM G	REMARKS
1	5ET-25311-00	HUB, REAR	1	1	1	
2	5ET-25317-00	SPACER, BEARING	1	1	1	
3	93306-27212	BEARING	1	1	1	
4	93306-07202	BEARING	1	1	1	
5	93106-30001	OIL SEAL	1	1	1	
6	93106-30045	OIL SEAL	1	1	1	
7	99009-45500	CIRCLIP	1	1	1	
8	94418-18006	RIM (1.85-18)	1	1	1	UR FOR CAN,ZAF
9	5GS-25304-00	SPOKE SET, REAR	1	1	1	
10	L.M.	TIRE (100/100-18 59M D756)			1	
11	L.M.	TUBE (100/100-18 M/C TR4)			1	
12	94309-18146	BAND, RIM (2.15-18)	1	1	1	DUNLOP
13	4XM-25394-00	SPACER, BEAD	2	2	2	
14	4XM-25364-00	DAMPER	2	2	2	
15	5TJ-25450-80	SPROCKET, DRIVEN (50T)	1	1	1	STD FOR CAN,ZAF
	1C3-25450-00	SPROCKET, DRIVEN (50T)			1	
	5GS-25448-50	SPROCKET, DRIVEN (48T)	1	1	1	
	5TJ-25452-80	SPROCKET, DRIVEN (52T)	1	1	1	
	1C3-25449-00	SPROCKET, DRIVEN (49T)			1	
	1C3-25451-00	SPROCKET, DRIVEN (51T)			1	
16	90109-08078	BOLT	6	6	6	

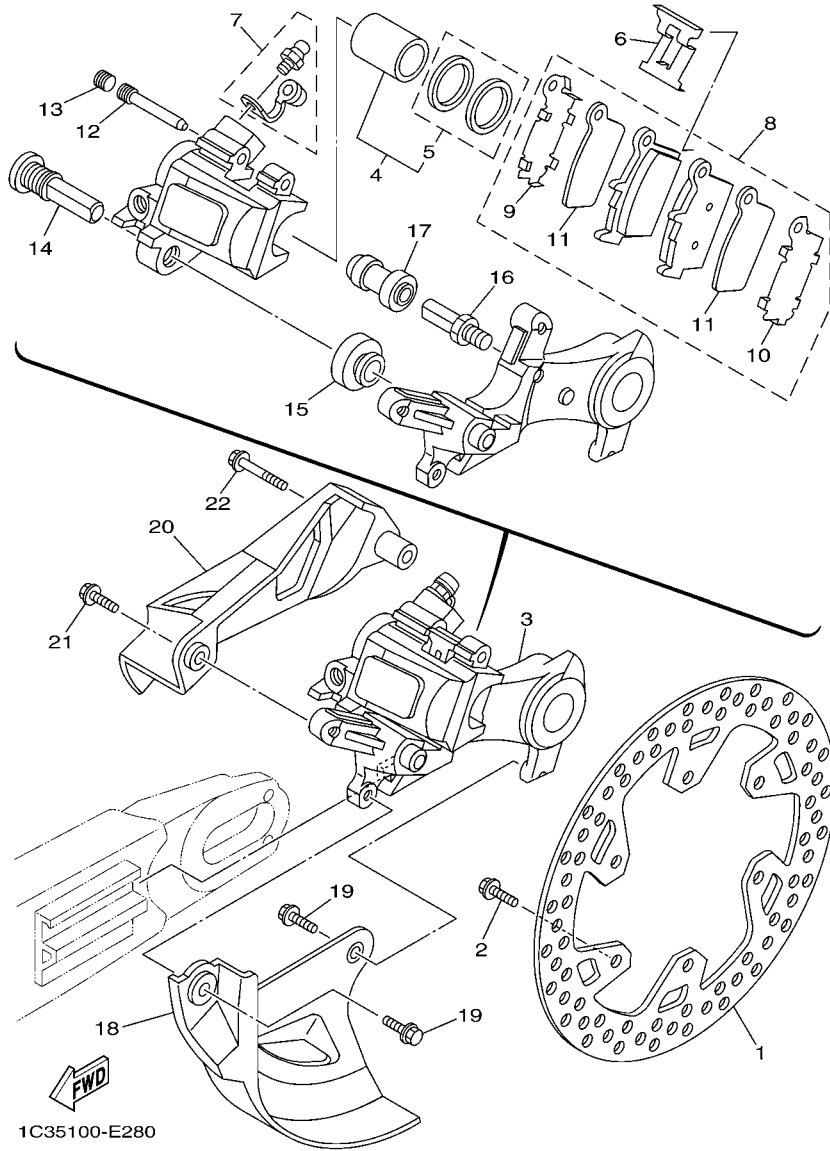


FIG. 33 REAR BRAKE CALIPER

REF. NO.	PART NO.	DESCRIPTION	SUME	SUMF	SUMG	REMARKS
1	2S2-2582W-70	DISK, REAR BRAKE 2	1	1	1	
2	90105-06108	BOLT, FLANGE	6	6	6	
3	1C3-2580W-70	CALIPER ASSY, REAR 2	1	1	1	
4	5UN-W0057-50	.PISTON ASSY, CALIPER	1	1	1	
5	5UN-W0047-50	..CALIPER SEAL KIT	1	1	1	
6	5DH-25919-50	..SUPPORT, PAD	1	1	1	
7	1UY-W0048-50	.BLEED SCREW KIT	1	1	1	
8	1C3-W0046-B0	.BRAKE PAD KIT 2	1	1	1	
9	5UN-25828-60	..SHIM, CALIPER	1	1	1	
10	5UN-25827-60	..SHIM, CALIPER	1	1	1	
11	5UN-22898-60	..INSULATOR, HEAT	2	2	2	
12	8CR-25924-00	.PIN, PAD	1	1	1	
13	5DH-25916-00	.PLUG	1	1	1	
14	5DH-25914-50	.PIN, SLIDE	1	1	1	
15	3JD-25917-00	.BOOT, CALIPER	1	1	1	
16	5UN-25914-00	.PIN, SLIDE	1	1	1	
17	1UY-25937-51	.BOOT 2	1	1	1	
18	1C3-25718-50	PROTECTOR, DISK BRAKE	1	1	1	
19	90105-06110	BOLT, FLANGE	2	2	2	
20	1C3-27491-50	PROTECTOR	1	1	1	
21	90105-06107	BOLT, FLANGE	1	1	1	
22	90105-06111	BOLT, FLANGE	1	1	1	

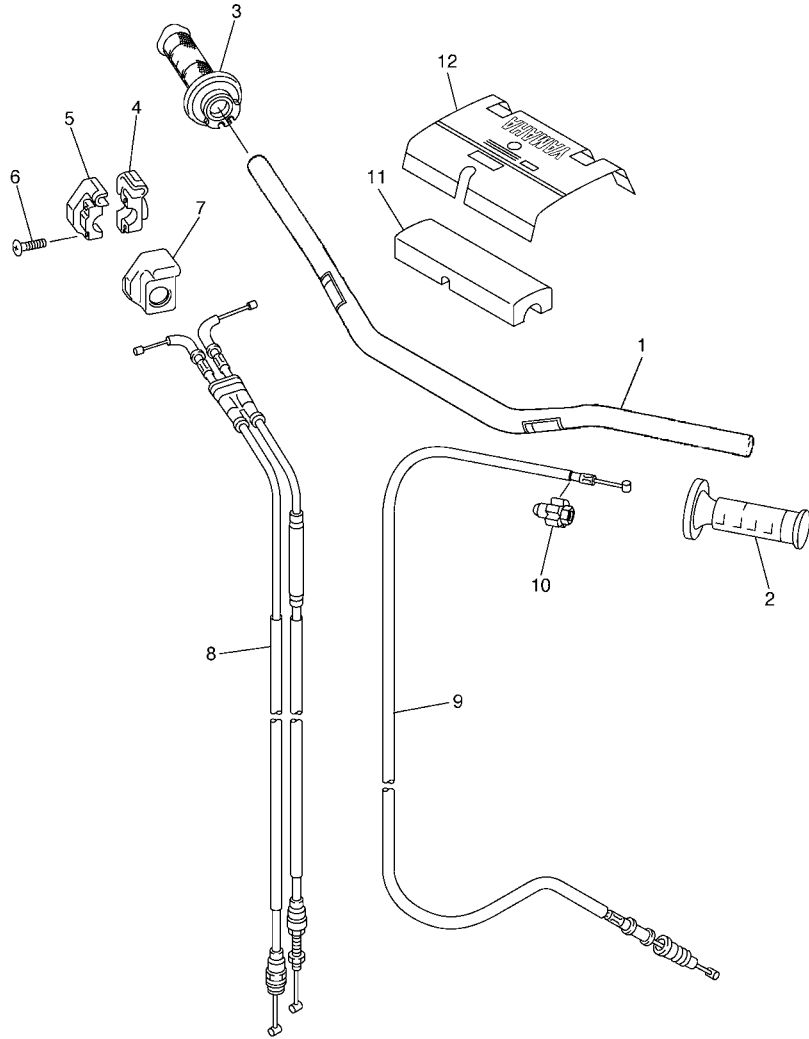
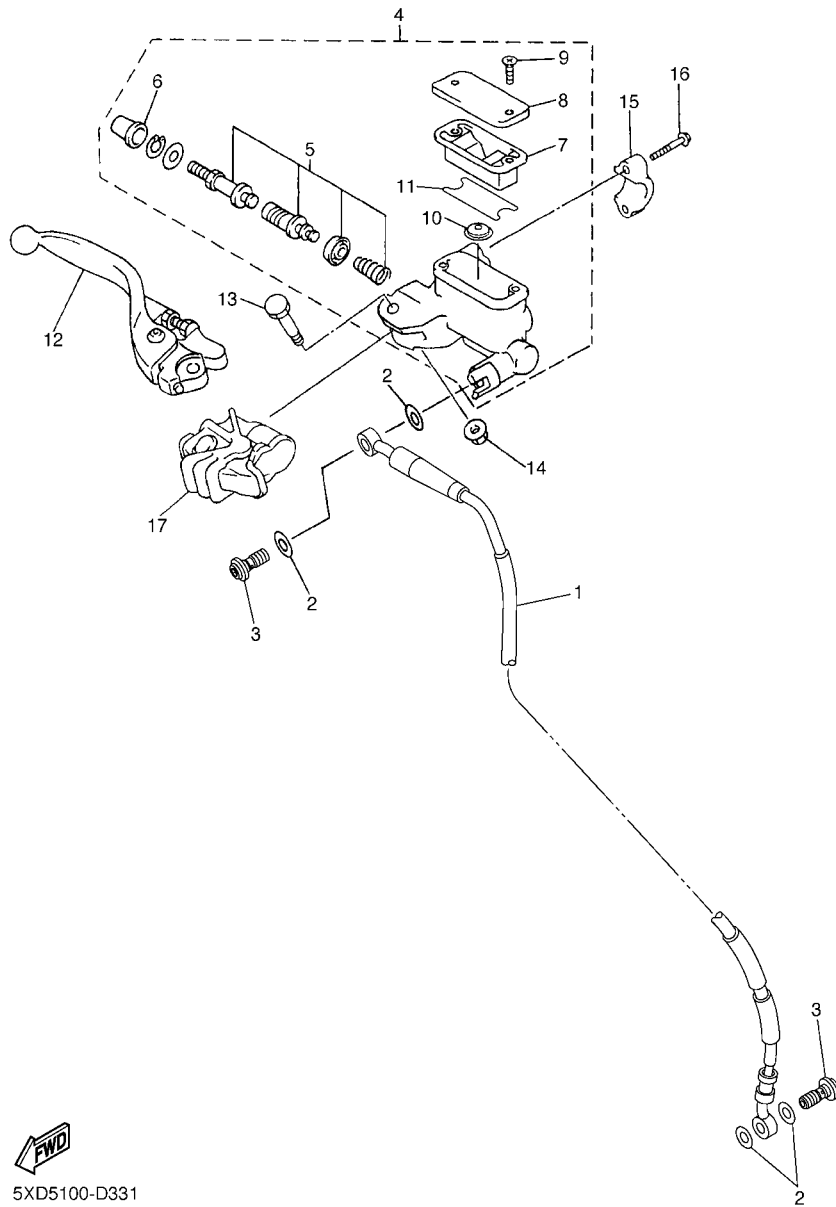


FIG. 34 STEERING HANDLE & CABLE

REF. NO.	PART NO.	DESCRIPTION	SUM E	SUM F	SUM G	REMARKS
1	1C3-26111-90	HANDLEBAR	1	1	1	
2	4GY-26241-00	GRIP	1	1	1	
3	5TJ-26240-C0	GRIP ASSY	1	1	1	
4	5BE-26281-00	CAP, GRIP UPPER	1	1	1	
5	5BE-26282-00	CAP, GRIP LOWER	1	1	1	
6	98502-05020	SCREW, PAN HEAD	2	2	2	
7	5SF-26287-10	COVER, CAP GRIP	1	1	1	
8	5UM-26302-E0	THROTTLE CABLE ASSY	1	1	1	
9	5UM-26335-E0	CABLE, CLUTCH	1	1	1	
10	1C3-26342-50	BOOT, CABLE	1	1	1	
11	5XC-26124-90	PROTECTOR, HANDLEBAR	1	1	1	
12	5XC-26143-90	COVER, HANDLEBAR UPPER 1	1	1	1	

FWD
5UME100-F340

FIG. 35 FRONT MASTER CYLINDER

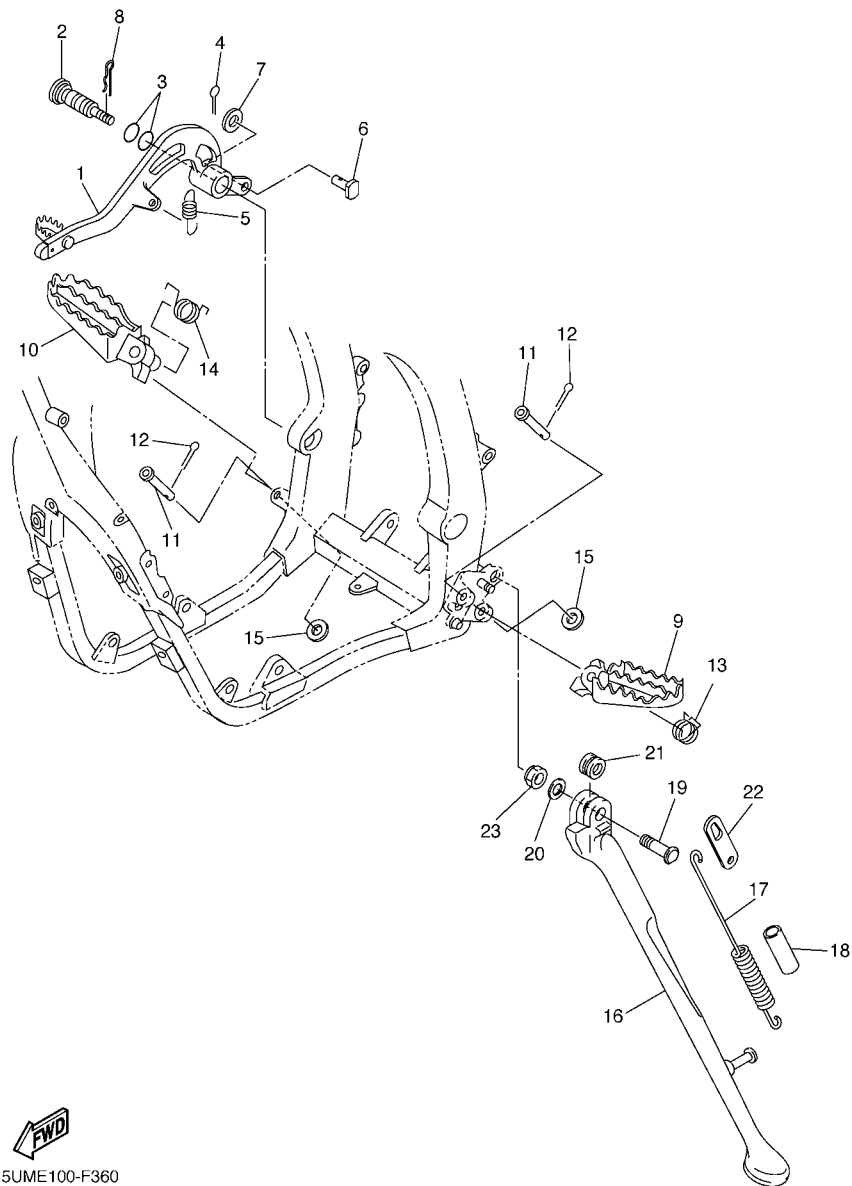


REF. NO.	PART NO.	DESCRIPTION	SUME	SUMF	SUMG	REMARKS
1	5TJ-25872-80	HOSE, BRAKE 1	1	1	1	
2	90430-10005	GASKET	4	4	4	
3	90401-10172	BOLT, UNION	2	2	2	
4	5XE-W2587-10	MASTER CYLINDER SUB ASSY	1	1	1	
5	5NY-W0041-00	.CYLINDER KIT, MASTER	1	1	1	
6	5NY-25868-00	.BOOT, MASTER CYLINDER	1	1	1	
7	5XE-25854-00	.DIAPHRAGM, RESERVOIR	1	1	1	
8	5MV-25852-01	.CAP, RESERVOIR	1	1	1	
9	98706-04012	.SCREW, FLAT HEAD	2	2	2	
10	5CG-25715-00	.SEPARATOR ASSY	1	1	1	
11	5XE-25853-00	.FLOAT, RESERVOIR	1	1	1	
12	1C3-83922-50	LEVER 2	1	1	1	
13	5MV-2589F-00	BOLT, LEVER	1	1	1	
14	95701-06500	NUT, FLANGE	1	1	1	
15	5MV-25867-00	BRACKET, MASTER CYLINDER	1	1	1	
16	5MV-25833-00	BOLT, FITTING	2	2	2	
17	5NY-26372-00	COVER, HANDLE LEVER 1	1	1	1	



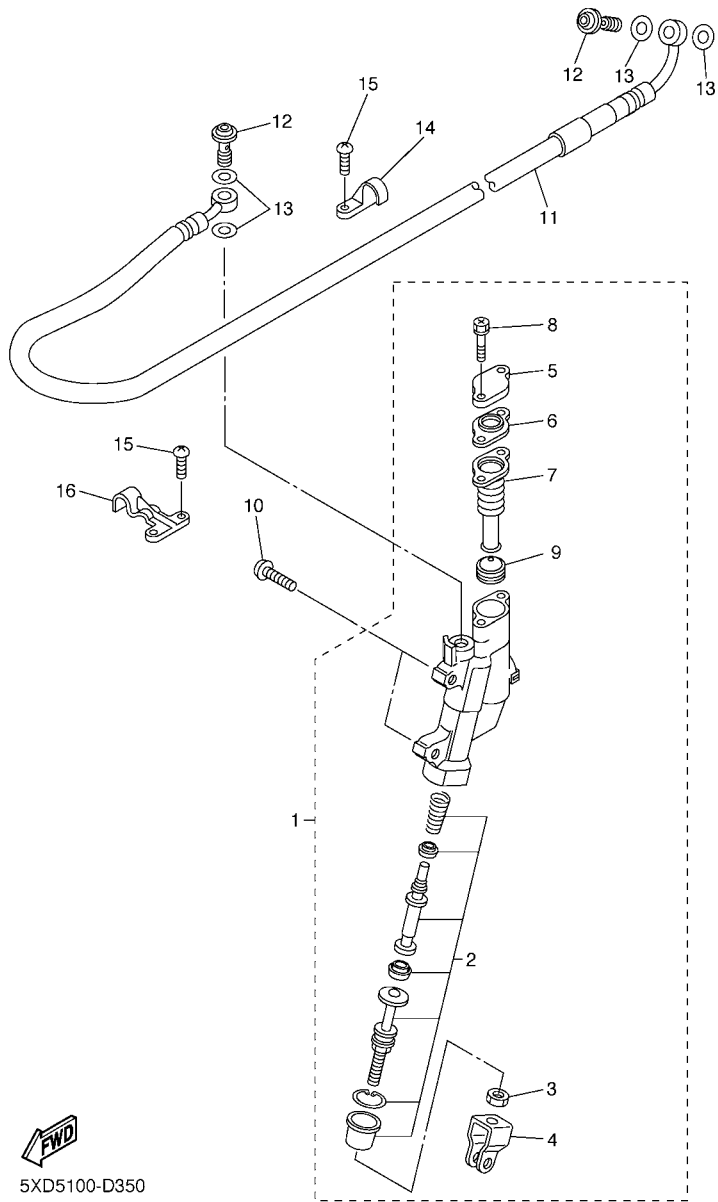
5XD5100-D331

FIG. 36 STAND & FOOTREST



FWD
5UME100-F360

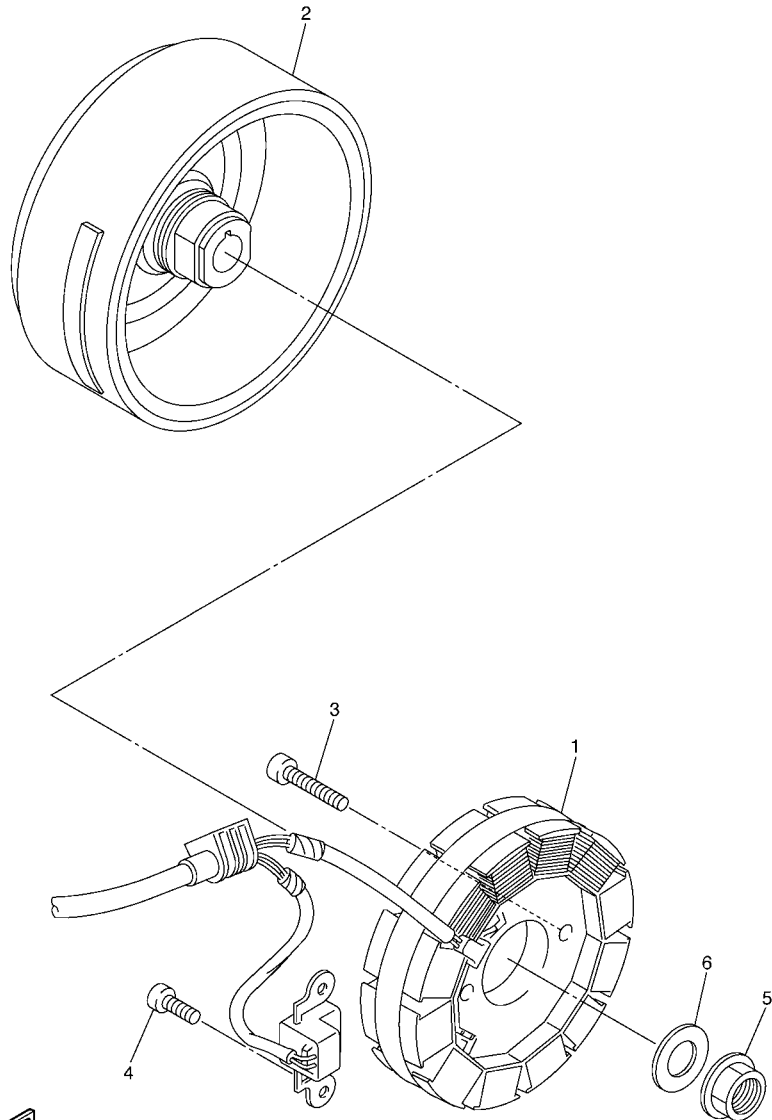
REF. NO.	PART NO.	DESCRIPTION	5UME	5UMF	5UMG	REMARKS
1	5UM-27200-00	PEDAL, BRAKE	1	1	1	
2	5XC-27217-90	BOLT	1	1	1	
3	93210-11073	O-RING	2	2	2	
4	91402-20012	PIN, COTTER	1	1	1	
5	90506-16007	SPRING, TENSION	1	1	1	
6	90240-08120	PIN, CLEVIS	1	1	1	
7	90201-08044	WASHER, PLATE	1	1	1	
8	90468-16001	CLIP	1	1	1	
9	5UM-27411-E0	FOOTREST 1	1	1	1	
10	5UM-27421-E0	FOOTREST 2	1	1	1	
11	90240-10004	PIN, CLEVIS	2	2	2	
12	91402-25015	PIN, COTTER	2	2	2	
13	90508-28015	SPRING, TORSION	1	1	1	
14	90508-28018	SPRING, TORSION	1	1	1	
15	90201-10032	WASHER, PLATE	2	2	2	
16	5UM-27311-E0	STAND, SIDE	1	1	1	
17	90506-30005	SPRING, TENSION	1	1	1	
18	90445-217G3	HOSE (L70)	1	1	1	
19	90109-10026	BOLT	1	1	1	
20	90201-10045	WASHER, PLATE	1	1	1	
21	90387-1003G	COLLAR	1	1	1	
22	5UM-27315-E0	LINK, SIDE STAND	1	1	1	
23	90185-10018	NUT, SELF-LOCKING	1	1	1	



5XD5100-D350

FIG. 37 REAR MASTER CYLINDER

REF. NO.	PART NO.	DESCRIPTION	SUM E	SUM F	SUM G	REMARKS
1	1C3-2583V-00	RR. MASTER CYLINDER ASSY.	1	1	1	
2	5UN-W0042-50	.CYLINDER KIT, MASTER	1	1	1	
3	5UN-27218-00	.NUT	1	1	1	
4	5UN-27222-00	.JOINT	1	1	1	
5	5UN-25852-50	.CAP, RESERVOIR	1	1	1	
6	5UN-2585B-00	.PLATE, DIAPHRAGM	1	1	1	
7	5UN-25854-00	.DIAPHRAGM, RESERVOIR	1	1	1	
8	5UN-27217-00	.BOLT	2	2	2	
9	5CG-25715-00	.SEPARATOR ASSY	1	1	1	
10	90111-06059	BOLT,HEX. SOCKET BUTTON	2	2	2	
11	1C3-25873-00	HOSE, BRAKE 2	1	1	1	
12	90401-10172	BOLT, UNION	2	2	2	
13	90430-10005	GASKET	4	4	4	
14	1C3-25886-50	HOLDER, BRAKE HOSE	1	1	1	
15	98502-05010	SCREW, PAN HEAD	4	4	4	
16	1C3-25876-50	HOLDER, BRAKE HOSE 2	1	1	1	



5UM5100-C370

FIG. 38 GENERATOR

REF. NO.	PART NO.	DESCRIPTION	SUME	SUMF	SUMG	REMARKS
1	5UM-81410-20	STATOR ASSY	1	1	1	
2	5UM-81450-00	ROTOR ASSY	1	1	1	
3	91312-05020	BOLT	2	2	2	
4	91312-06014	BOLT	2	2	2	
5	90179-12657	NUT	1	1	1	
6	90201-12020	WASHER, PLATE	1	1	1	

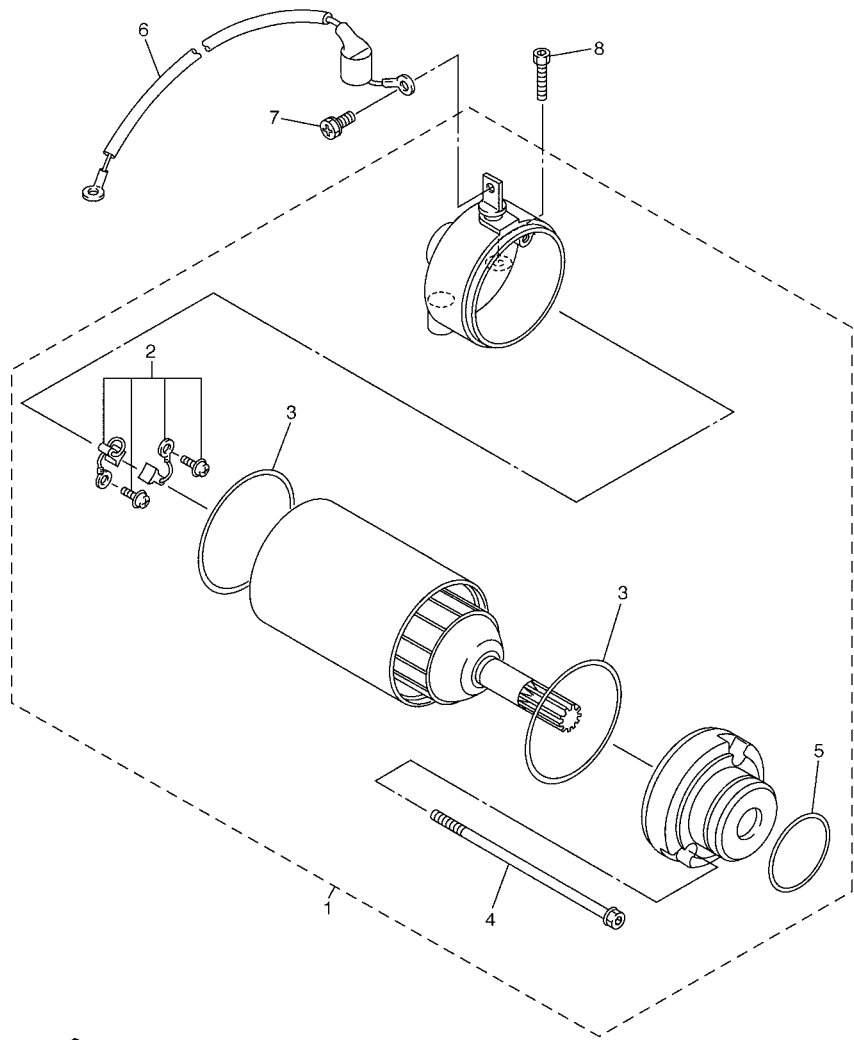
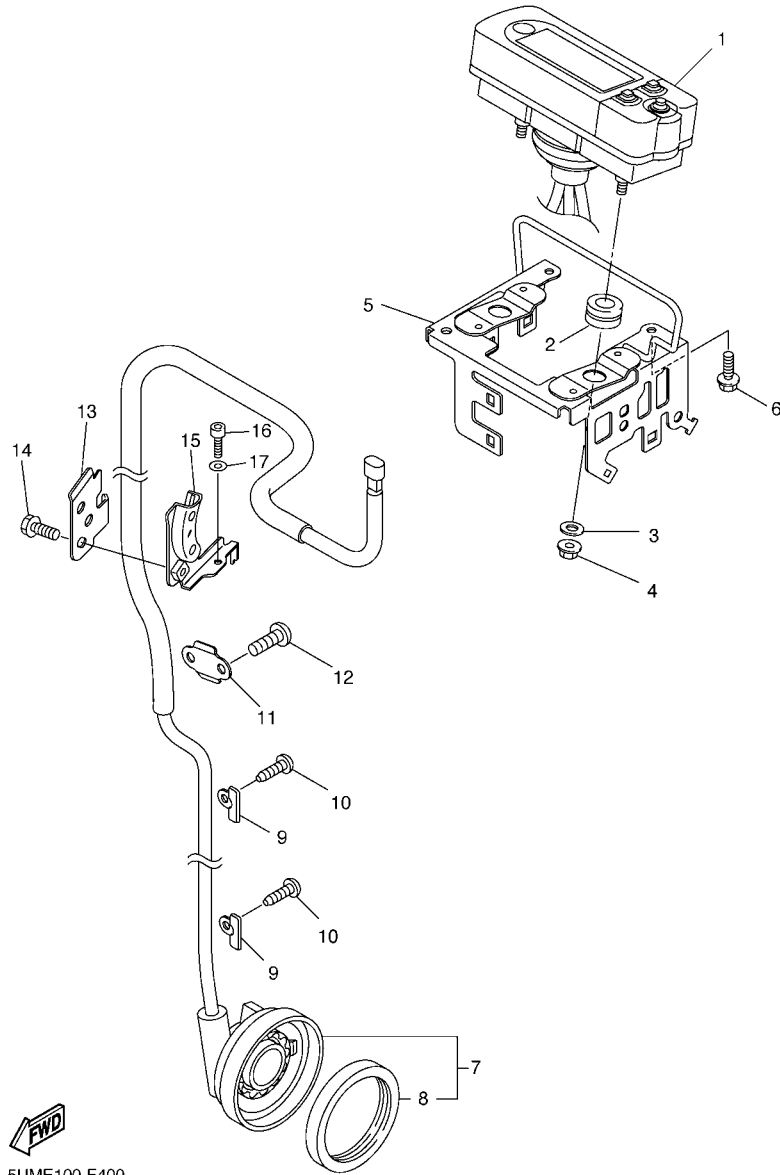


FIG. 39 STARTING MOTOR

REF. NO.	PART NO.	DESCRIPTION	SUME	SUMF	SUMG	REMARKS
1	5UM-81890-10	MOTOR ASSY	1	1	1	
2	5UM-81801-10	.BRUSH SET	1	1	1	
3	5UM-81861-00	.GASKET	2	2	2	
4	5UM-81828-10	.BOLT 2	2	2	2	
5	93210-25711	.O-RING	1	1	1	
6	5UM-8183G-20	CORD COMP.	1	1	1	
7	5TJ-81828-01	BOLT 2	1	1	1	
8	91312-06025	BOLT	2	2	2	


5UM5100-C380

FIG. 40 METER



5UME100-F400

REF. NO.	PART NO.	DESCRIPTION	5UME	5UMF	5UMG	REMARKS
1	5TJ-83500-F0	SPEEDOMETER ASSY (KM/H)			1	
2	90480-14012	GROMMET	2	2	2	
3	90201-05021	WASHER, PLATE	2	2	2	
4	95702-05500	NUT, FLANGE	2	2	2	
5	5UM-83519-E0	BRACKET, METER	1	1	1	
6	90105-06110	BOLT, FLANGE	2	2	2	
7	5TJ-83755-C0	SENSOR, SPEED	1	1	1	
8	93105-47007	.OIL SEAL	1	1	1	
9	5TJ-8375F-C0	PLATE 2	2	2	2	
10	97702-40010	SCREW, TAPPING	2	2	2	
11	5TJ-8375E-C0	PLATE 1	1	1	1	
12	92012-05008	BOLT, BUTTON HEAD	2	2	2	
13	5UM-83595-E0	CLAMP	1	1	1	
14	90105-06105	BOLT, FLANGE	1	1	1	
15	5UM-23591-E0	BRACKET 1	1	1	1	
16	92012-06012	BOLT, BUTTON HEAD	1	1	1	
17	92902-06600	WASHER, PLATE	1	1	1	

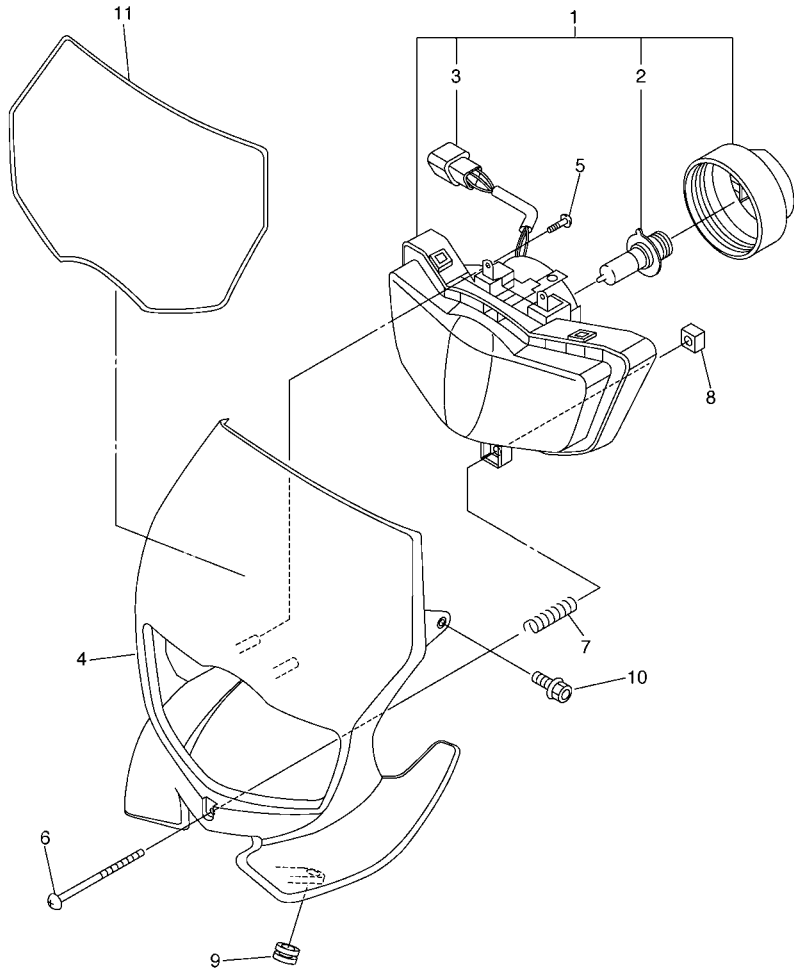


FIG. 41 HEADLIGHT

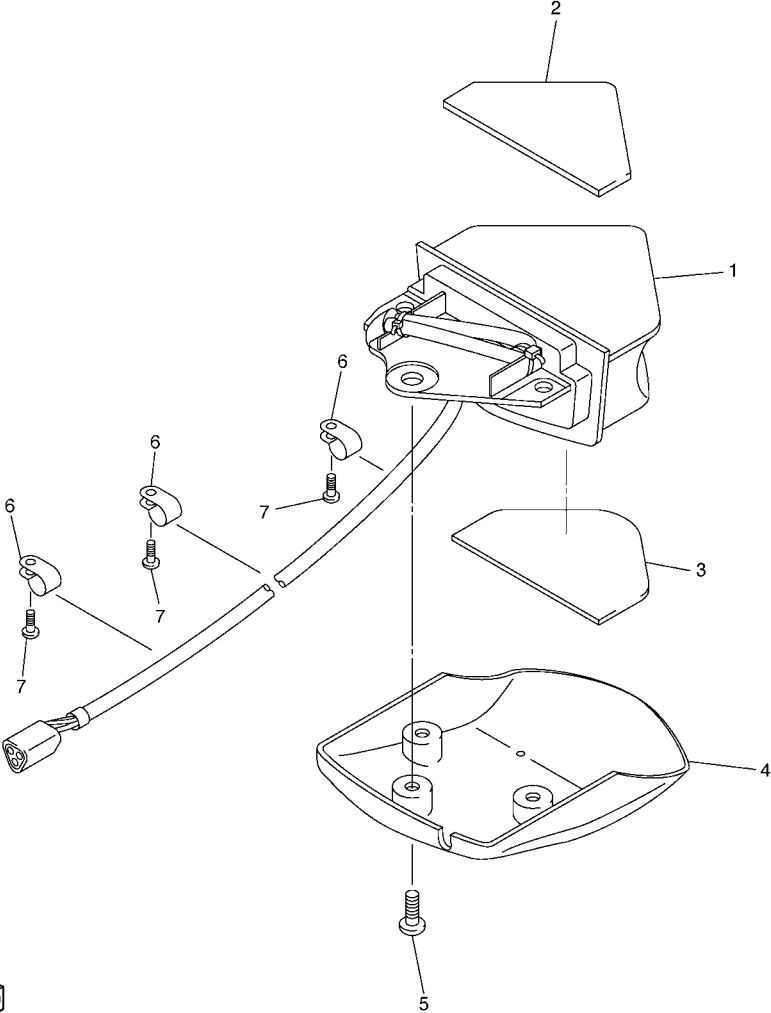
REF. NO.	PART NO.	DESCRIPTION	SUM E	SUM F	SUM G	REMARKS
1	5UM-84310-E0	HEADLIGHT UNIT ASSY	1	1	1	
2	5UM-84314-E0	.BULB (12V-35/36.5W)	1	1	1	STANLEY(T15H)
3	5UM-84340-E0	.SOCKET CORD ASSY 1	1	1	1	
4	5UM-84330-E0	BODY ASSY	1	1	1	
5	97702-50516	SCREW, TAPPING	2	2	2	
6	90157-04005	SCREW, PAN HEAD	1	1	1	
7	90501-120A3	SPRING, COMPRESSION	1	1	1	
8	5BF-84334-00	NUT, ADJUSTING	1	1	1	
9	90480-12020	GROMMET	2	2	2	
10	90105-06064	BOLT, FLANGE	2	2	2	
11	5TJ-2339E-00	GRAPHIC 1	1	1	1	



5UME100-F410

FIG. 42 TAILLIGHT

REF. NO.	PART NO.	DESCRIPTION	SUM E	SUM F	SUM G	REMARKS
1	5UM-84710-E0	TAILLIGHT UNIT ASSY	1	1	1	
2	5UM-84736-E0	DAMPER, TAIL 1	1	1	1	
3	5UM-84737-E0	DAMPER, TAIL 2	1	1	1	
4	5UM-84716-E0	COVER, TAILLIGHT	1	1	1	
5	97702-50016	SCREW, TAPPING	3	3	3	
6	90464-11M18	CLAMP	3	3	3	
7	97702-40010	SCREW, TAPPING	3	3	3	




 5UME100-F420

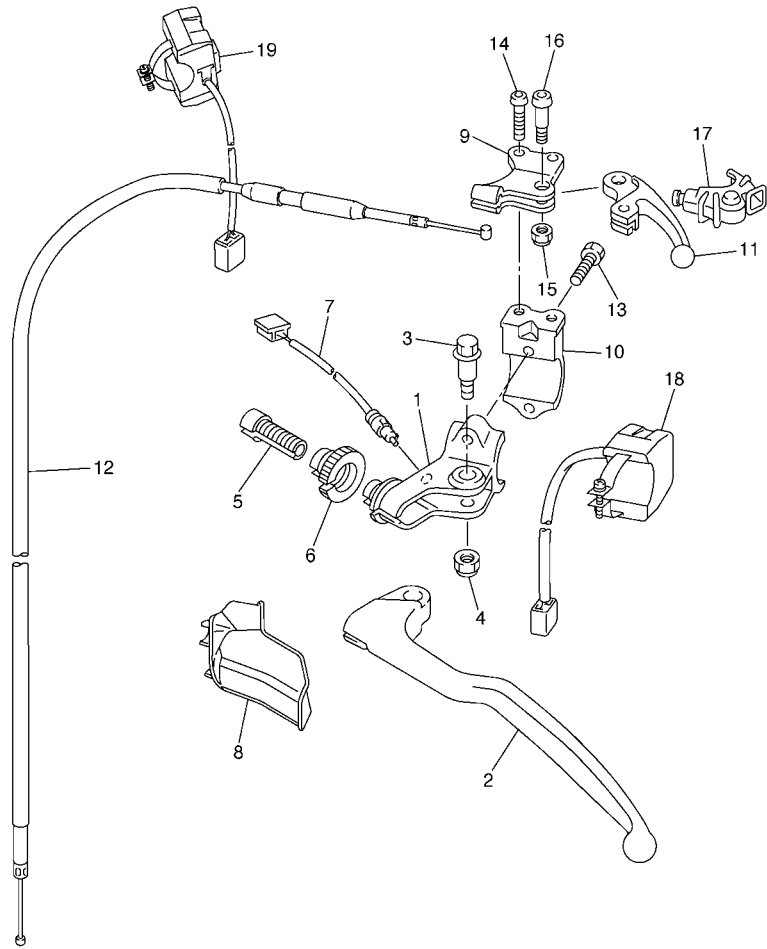
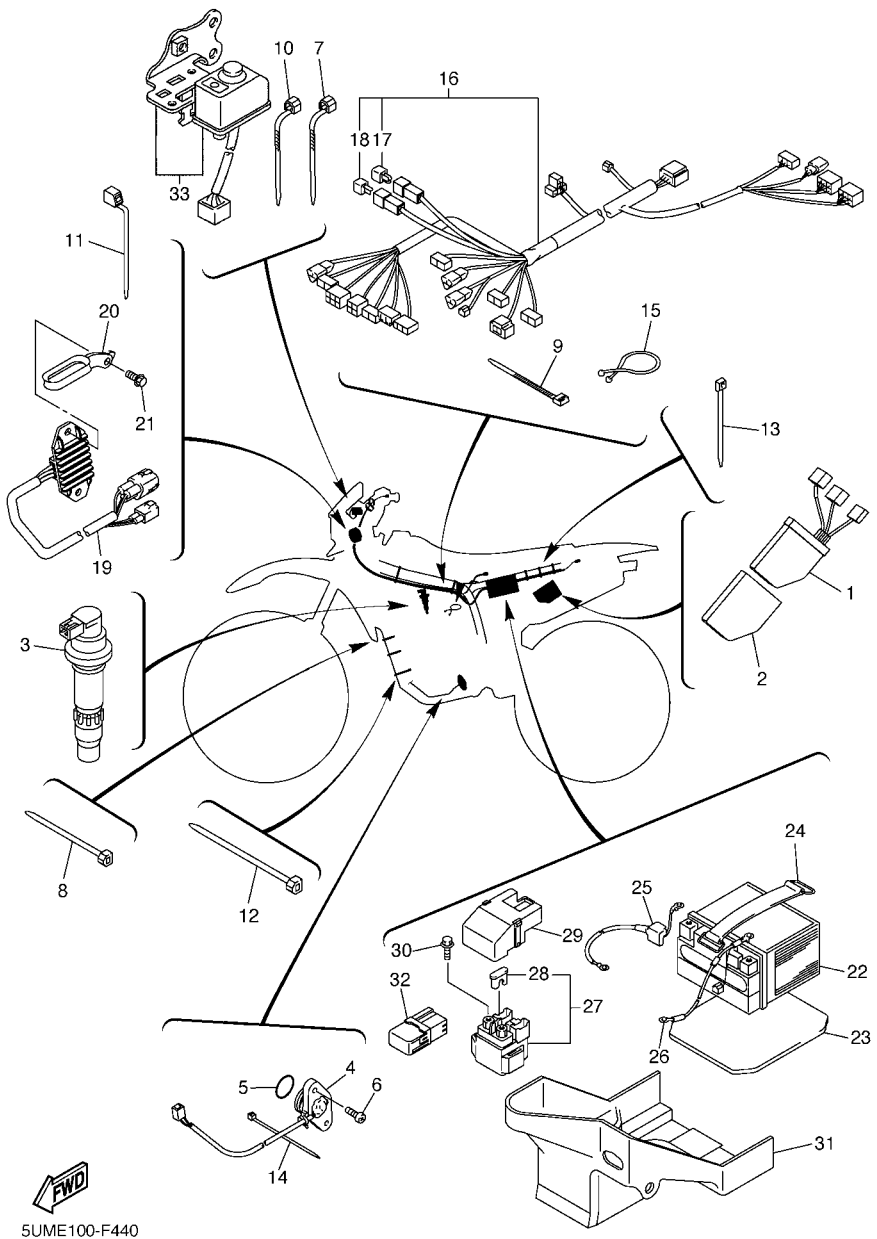


FIG. 43 HANDLE SWITCH & LEVER

REF. NO.	PART NO.	DESCRIPTION	SUME	SUMF	SUMG	REMARKS
1	5TJ-82911-80	HOLDER, LEVER 1	1	1	1	
2	5TJ-83912-80	LEVER 1	1	1	1	
3	90109-06034	BOLT	1	1	1	
4	5LP-84126-10	NUT, LENS FITTING	1	1	1	
5	5HD-26337-00	BOLT, ADJUSTING	1	1	1	
6	5HD-83951-00	BOLT, CABLE ADJUSTING	1	1	1	
7	5TJ-82917-02	SWITCH	1	1	1	
8	5TJ-26372-80	COVER, HANDLE LEVER 1	1	1	1	
9	5XD-82946-00	HOLDER, STARTER LEVER	1	1	1	
10	5XD-82913-00	HOLDER, LEVER LOWER 1	1	1	1	
11	5TA-83941-00	LEVER, STARTER	1	1	1	
12	5UM-26334-E0	CABLE, STARTER 2	1	1	1	
13	97002-05016	BOLT	2	2	2	
14	92012-05012	BOLT, BUTTON HEAD	2	2	2	
15	95602-05100	NUT, U	1	1	1	
16	90149-05162	SCREW	1	1	1	
17	5TA-26339-00	BOOT	1	1	1	
18	5UM-83976-E0	SWITCH, HANDLE 1	1	1	1	
19	5UM-83976-F0	SWITCH, HANDLE 1	1	1	1	


5UME100-F430

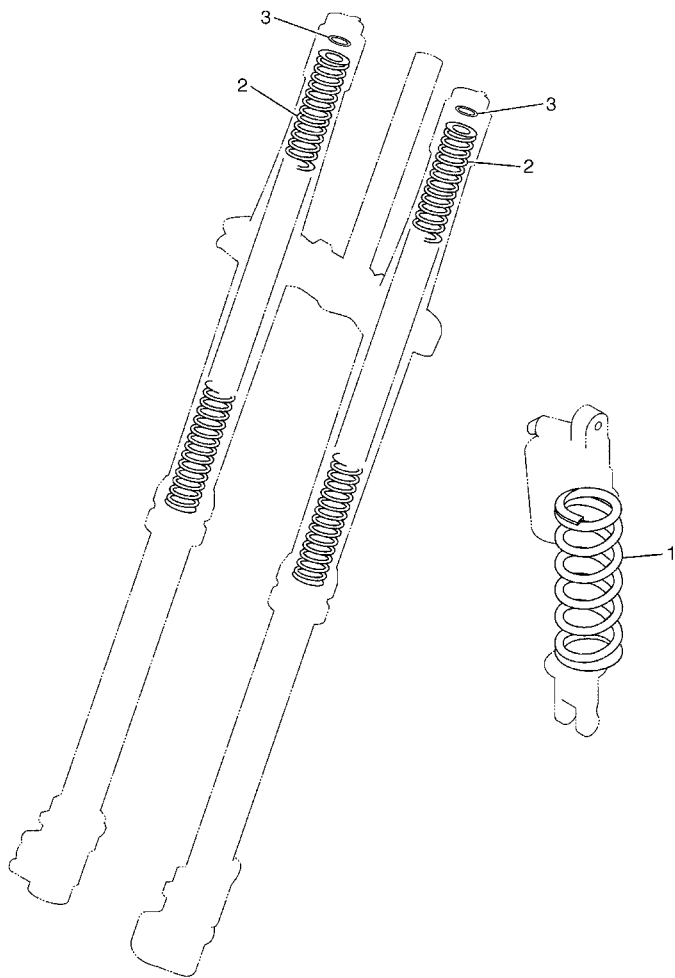


FWD
5UME100-F440

FIG. 44 ELECTRICAL 1

REF. NO.	PART NO.	DESCRIPTION	SUME	SUMF	SUMG	REMARKS
1	5UM-85540-F0	C.D.I. UNIT ASSY			1	
2	5UM-85546-E0	BAND	1	1	1	
3	5UL-82310-10	IGNITION COIL ASSY	1	1	1	
4	5TJ-82540-01	NEUTRAL SWITCH ASSY	1	1	1	
5	93210-21276	O-RING	1	1	1	
6	90154-05022	SCREW, BINDING	2	2	2	
7	90464-13077	CLAMP	2	2	2	
8	90464-15152	CLAMP	3	3	3	
9	90465-13275	CLAMP	8	8	8	
10	90464-13073	CLAMP	3	3	3	
11	90464-16061	CLAMP	2	2	2	
12	90464-15195	CLAMP	1	3	3	
13	90465-13152	CLAMP	5	5	5	
14	5Y9-12491-00	CLAMP 1	2	2	2	
15	90464-23041	CLAMP	1	1	1	
16	5TJ-82590-F0	WIRE HARNESS ASSY			1	
17	5TJ-81980-00	.DIODE ASSY	1	1	1	
18	4WA-81980-00	.DIODE ASSY	1	1	1	
19	5UM-81960-E0	RECTIFIER & REGULATOR ASSY	1	1	1	
20	5UM-21288-E0	GUIDE, CABLE	1	1	1	
21	90105-06110	BOLT, FLANGE	2	2	2	
22	5UM-82100-09	BATTERY ASSY (YTX5L-BS)	1	1	1	
23	5UM-82176-E0	DAMPER	1	1	1	
24	8CY-82131-00	BAND, BATTERY	1	1	1	
25	5TJ-82115-00	WIRE, PLUS LEAD	1	1	1	

FIG. 45 ALTERNATE FOR CHASSIS



REF. NO.	PART NO.	DESCRIPTION	SUM E	SUM F	SUM G	REMARKS
1	5UN-22212-00	SPRING (K=42N/MM)	1	1	1	AP
	5UN-22212-10	SPRING (K=44N/MM)	1	1	1	AP
	5UN-22212-20	SPRING (K=46N/MM)	1	1	1	AP
	5UN-22212-30	SPRING (K=48N/MM)	1	1	1	AP
	5UN-22212-40	SPRING (K=50N/MM)	1	1	1	AP
	5UN-22212-60	SPRING (K=54N/MM)	1	1	1	AP
	5UN-22212-70	SPRING (K=56N/MM)	1	1	1	AP
2	5TJ-23141-00	SPRING (K=4.0N/MM)	1	1	1	AP
	5TJ-23141-10	SPRING (K=4.1N/MM)	1	1	1	AP
	5TJ-23141-20	SPRING (K=4.2N/MM)	1	1	1	AP
	5TJ-23141-30	SPRING (K=4.3N/MM)	1	1	1	AP
	5TJ-23141-50	SPRING (K=4.5N/MM)	1	1	1	AP
	5TJ-23141-60	SPRING (K=4.6N/MM)	1	1	1	AP
3	5XE-23364-00	COLLAR 2	1	1	1	AP



5XC1100-C390

NUMERICAL INDEX

PART NO.	GRID NO.	PART NO.	GRID NO.	PART NO.	GRID NO.	PART NO.	GRID NO.	PART NO.	GRID NO.	PART NO.	GRID NO.
5UM-11101-10	B - 2	1HX-12168-M1	B - 5	5NL-13411-00	B - 10	5NY-14442-00	B - 13	5XC-14922-00	C - 3	4FN-14997-00	B - 15
5XC-11133-10	B - 2	1HX-12168-R1	B - 5	5XC-13412-00	B - 10	5UM-14451-E0	B - 13	5GS-14933-00	C - 4	5TA-14997-00	C - 3
5NL-11134-10	B - 2	1HX-12168-U1	B - 5	5XC-13416-90	B - 11	5UM-14453-E0	B - 13	3TJ-14933-40	C - 3	5XC-15118-00	C - 9
5UM-11166-00	B - 2	1HX-12168-W1	B - 5	5TA-13440-00	B - 12	5NY-14455-20	B - 13	5TA-14934-00	C - 4	5UM-15150-20-YX	C - 7
371-11167-01	B - 2	1HX-12168-Y1	B - 5	5BE-13447-10	B - 12	5TJ-14458-00	B - 13	5GS-14940-00	C - 4	3Y1-15361-00	C - 9
5NL-11181-00	B - 2	1HX-12169-11	B - 6	5XC-13464-20	B - 10	5TJ-14459-01	B - 13	5JG-14940-16	C - 3	3Y1-15363-00	C - 8
5NL-11191-20	B - 2	1HX-12169-31	B - 6	5XC-13465-10	B - 10	5UM-14462-E0	B - 14	5JG-14940-17	C - 3	5XC-15373-00	C - 8
5NL-11193-00	B - 3	1HX-12169-50	B - 6	5XC-13597-30	B - 13	5TJ-14475-00	B - 13	5JG-14940-18	C - 3	4JT-15381-01	C - 7
5UM-1119E-00	B - 2	1HX-12169-70	B - 6	5UM-14101-E0	B - 15	5JG-14521-00	B - 15	5JG-14940-76	C - 3	5BE-15383-01	C - 7
5XC-11311-10	B - 3	1HX-12169-90	B - 6	5NL-14105-00	C - 3	5JG-14522-00	B - 15	5TA-14943-15	C - 2	5NL-15388-00	C - 7
5NL-11351-00	B - 3	1HX-12169-E0	B - 6	4MX-14115-00	C - 4	5JG-14531-00	C - 4	4MX-14943-39	C - 2	5UM-15411-10	C - 8
5UM-11387-00	B - 3	1HX-12169-G0	B - 6	5TJ-14118-00	C - 4	3TJ-14536-40	C - 3	4MX-14943-40	C - 2	5NL-15415-00	C - 8
5UM-11400-30	B - 4	1HX-12169-J0	B - 6	3TJ-14137-40	B - 13	5JG-14546-01	B - 15	4MX-14943-41	B - 15	5BE-15421-10	C - 7
5UM-11412-20	B - 4	1HX-12169-L0	B - 6			676-14548-00	C - 3	4MX-14943-42	C - 2	5XC-15431-01	C - 8
5UL-11422-10	B - 4	1HX-12169-N0	B - 6	5BE-14146-00	C - 4	4MX-14561-00	C - 4	4MX-14943-43	C - 2	5NL-15441-01	C - 7
5NL-11454-00	B - 4	1HX-12169-T0	B - 6	5PA-14146-00	C - 4	6H4-14561-00	C - 3	4MX-14943-89	B - 15	5UM-15451-00	C - 8
5NL-11455-00	B - 4	5UM-12170-10	B - 7	5TA-14155-00	C - 3	5NX-14562-00	C - 4	4MX-14943-90	C - 2	5NL-15453-00	C - 9
5NL-11531-00	B - 4	5UM-12180-20	B - 7	633-14159-00	C - 3	3TJ-14564-40	C - 3	4MX-14943-91	C - 2	5NL-15462-00	C - 8
5NL-11536-00	B - 4	5TA-12210-20	B - 7	3TJ-14159-40	B - 15	5JG-14565-00	C - 4	4MX-14943-92	C - 2	5UM-1549B-10	C - 8
5NL-11603-00	B - 4	4FM-12213-00	B - 7	5XC-14171-00	C - 3	5GS-14591-00	C - 4	4MX-14943-93	C - 2	5UM-15515-20	C - 11
5NL-11631-20	B - 4	5BE-12241-00	B - 7	3TJ-14191-40	C - 3	688-14592-00	B - 15	4MX-14943-94	C - 2	5UM-15517-00	C - 11
5NL-11633-00	B - 4	5NL-12251-10	B - 7	5UL-14196-00	C - 4	5UM-14611-10	C - 6	5TJ-14947-00	B - 15	5UM-15532-00	C - 11
5XC-11651-00	B - 4	5NL-12252-00	B - 7	5TA-14197-00	C - 4	5NL-14613-00	C - 6	4MX-14948-03	C - 2	5UM-15560-10	C - 11
5XC-11681-00	B - 4	5UM-1240A-E0	B - 9	5NX-14216-00	C - 4	5TJ-14623-00	C - 6	4MX-14948-04	C - 2	5UM-15570-00	C - 11
5NL-12111-20	B - 5	5NL-12422-10	B - 8	5TA-14227-00	B - 13	5XC-14628-00	C - 6	4MX-14948-05	C - 2	5VY-15586-00	C - 11
5NL-12112-20	B - 5	5NL-12439-00	B - 8	5TA-14239-00	B - 13	5UM-14710-E0	C - 6	4MX-14948-06	C - 2	5NL-15601-20	C - 10
5UM-12113-00	B - 5	5XC-1244H-90	B - 9	5TJ-14243-00	C - 4	5PH-14714-00	C - 6	4MX-14948-07	C - 2	5XC-15620-10	C - 10
5NL-12114-00	B - 5	5UM-1244J-E0	D - 7	5TA-14261-00	C - 4	4KM-14714-01	C - 5	4JT-1494F-11	C - 2	5XC-15621-10	C - 10
5NL-12116-00	B - 5	5DH-12451-00	B - 8	5JG-14264-00	B - 15	5BE-14747-00	C - 6	3TJ-1494F-12	C - 2	5NL-15641-20	C - 10
1HX-12117-00	B - 5	5XC-12459-00	B - 8	3TJ-14267-40	B - 15	4BD-14766-00	C - 6	3TJ-1494F-13	C - 2	5NL-15651-00	C - 10
1WG-12117-00	B - 5	5UM-12461-E0	B - 9	5JG-14275-00	B - 15	5TJ-14780-00	C - 6	3TJ-1494F-14	C - 2	5NL-15664-00	C - 10
1HX-12118-00	B - 5	22W-12462-00	B - 9	5TA-14293-00	B - 13	5TJ-14784-00	C - 6	3TJ-1494F-15	C - 2	5SG-15668-00	C - 10
1WG-12118-00	B - 5	2S2-12464-70	B - 9	3TJ-14293-40	C - 3	5BE-14788-00	C - 6	4JT-1494F-15	C - 2	2S2-15671-00	C - 10
4SV-12119-00	B - 5	5XC-12481-90	B - 9	5TA-14335-00	C - 3	5TJ-14799-00	C - 6	3TJ-1494F-16	C - 2	214-15686-00	C - 10
4TV-12119-00	B - 5	1C3-12482-00	B - 9	5JG-14346-00	C - 4	5UM-14803-00	C - 5	4JT-1494F-19	C - 2	5NL-16111-00	C - 12
5NL-12121-10	B - 5	5XC-12482-90	B - 9	5TA-14371-00	C - 3	5UM-14834-E0	C - 5	4JT-1494F-23	C - 2	5NL-16150-10	C - 12
3GM-12126-00	B - 5	5Y9-12491-00	F - 5	2S2-14374-00	C - 3	5UM-14871-10	C - 5	4JT-1494F-27	C - 2	5NL-16154-00	C - 12
3FV-12153-10	B - 6	5NL-12564-00	C - 8	5JG-14379-00	C - 3	5UM-14881-00	C - 5	4JT-1494F-29	C - 2	3XJ-16321-00	C - 12
3LN-12153-10	B - 6	5XC-12576-90	B - 9	2S2-14388-00	B - 15	5UM-14882-00	C - 5	5UM-1494F-30	C - 2	5DH-16321-00	C - 12
1HX-12168-00	B - 5	5XC-12578-90	B - 9	4MX-14392-00	C - 3	5UM-14916-B1	B - 15	4JT-1494F-31	C - 3	5NL-16325-00	C - 12
1HX-12168-20	B - 5	5XC-12579-91	B - 9	5UM-14401-E0	B - 13	5UM-14916-BN	B - 15	5JG-14951-00	B - 15	5NL-16325-10	C - 12
1HX-12168-40	B - 5	583-13113-00	B - 12	5UM-14417-E0	B - 13	5UM-14916-BP	B - 15	5GS-14958-00	C - 4	5HD-16351-00	C - 12
1HX-12168-60	B - 5	5NL-13116-20	B - 12	5TJ-14419-00	B - 14	5UM-14916-BR	B - 15	5JG-14959-00	B - 15	5NL-16356-00	C - 12
1HX-12168-80	B - 5	5NL-13171-00	B - 12	5UM-1441A-E0	B - 14	5UM-14916-BS	B - 15	5JG-14984-00	C - 3	5NL-16357-10	C - 12
1HX-12168-A0	B - 5	5SG-13300-00	B - 10	5UM-1441G-E0	B - 13	5UM-14916-BT	B - 15	4SR-14985-00	C - 3	5NL-16371-00	C - 12
1HX-12168-F0	B - 5	5NL-13320-00	B - 10	5UM-14437-E0	B - 13	5UM-14916-BU	B - 15	5TA-14987-00	B - 13	5JG-16381-10	C - 12
1HX-12168-H1	B - 5	5NL-13341-00	B - 10	5UM-1443A-E0	B - 13	5UM-14916-BV	B - 15	5TJ-14987-00	C - 4	5NL-16383-10	C - 12
1HX-12168-K1	B - 5	5BE-13342-00	B - 10	5BF-1443E-00	B - 13	5UM-14916-RU	B - 15	5TA-14991-00	C - 3	4JT-16384-00	C - 12

NUMERICAL INDEX

PART NO.	GRID NO.	PART NO.	GRID NO.	PART NO.	GRID NO.	PART NO.	GRID NO.	PART NO.	GRID NO.	PART NO.	GRID NO.
5NL-16384-00	C - 12	5UM-2147A-E0	D - 5	5XC-2217F-90	D - 8	3JD-2312G-L0	D - 13	5XC-24183-90	D - 15	5UN-25852-50	E - 12
5NL-17121-00	C - 14	5UM-21485-E0	D - 5	4V4-22184-00	D - 4	5TJ-23136-C0	D - 13	3JD-24186-00	D - 15	5XE-25853-00	E - 10
5UM-17131-00	C - 14	5UM-21486-E0	D - 5	5MV-22184-00	D - 10	5TJ-23141-00	F - 7	5UM-2419A-E0	D - 15	5UN-25854-00	E - 12
5UM-17141-00	C - 14	1C3-21511-51	D - 6	5UM-22199-E0	D - 8	5TJ-23141-10	F - 7	5UM-24311-E0	D - 15	5XE-25854-00	E - 10
5UM-17151-00	C - 14	3XJ-2151H-A1	D - 6	5UM-22201-20	D - 10	5TJ-23141-20	F - 7	5XC-24339-90	D - 15	5UN-2585B-00	E - 12
5PH-17211-00	C - 14	3XJ-2151H-B1	D - 6	5UM-22201-E0	D - 10	5TJ-23141-30	F - 7	3XJ-24380-00	D - 15	5MV-25867-00	E - 10
5NL-17221-00	C - 14	4XL-2153A-10	D - 14	5UM-22201-F0	D - 10	5TJ-23141-50	F - 7	5UM-24500-E0	D - 15	5NY-25868-00	E - 10
5UM-17231-00	C - 14	5UM-2153E-00	D - 6	5UM-22201-G0	D - 10	5TJ-23141-60	F - 7	1P6-24512-00	D - 15	5TJ-25872-80	E - 10
5UM-17241-00	C - 14	4ES-2153E-01	D - 6	5UM-22210-20	D - 10	5TJ-23141-A0	D - 13	5NY-24610-00	D - 15	1C3-25873-00	E - 12
5UM-17251-00	C - 14	5PA-21568-00	D - 6	5UM-22210-E0	D - 10	5XE-23142-L0	D - 13	5UM-2470F-E0	E - 3	1C3-25875-50	E - 5
5NL-17402-00	C - 14	5UM-21610-E0	D - 6	5UM-22210-F0	D - 10	5XE-23144-L0	D - 13	5UM-24710-E0	E - 3	1C3-25876-50	E - 12
5PH-17411-10	C - 14	5XE-21635-10	D - 6	5UM-22210-G0	D - 10	1C3-23145-L0	D - 13	5NY-25104-00	E - 4	1C3-25886-50	E - 12
5NL-17466-00	C - 7	5UM-2163G-20	D - 6	5UN-22212-00	F - 7	5XE-23146-L0	D - 13	5TJ-2510C-80	E - 4	5MV-2589F-00	E - 10
5NL-17471-10	C - 15	5TA-21642-00	D - 6	5UN-22212-10	F - 7	1C3-2314F-M0	D - 13	5NG-25111-50	E - 4	5UN-25914-00	E - 8
5UL-18101-10	D - 3	3RV-21668-A0	D - 9	5UN-22212-20	F - 7	5XE-23153-L0	D - 13	5NY-25117-00	E - 4	5DH-25914-50	E - 8
5XC-18110-00	D - 3	3RV-21668-B0	D - 9	5UN-22212-30	F - 7	4SS-23158-L0	D - 13	1C3-25181-10	E - 4	3SP-25914-51	E - 5
5LP-18122-01	D - 3	5UM-21711-E0	D - 7	5UN-22212-40	F - 7	1C3-2315H-10	D - 14	5GS-25304-00	E - 6	5DH-25916-00	E - 5
3XK-18140-00	D - 2	5UM-21717-E0	D - 7	5UN-22212-50	D - 10	5TJ-2315J-C0	D - 14	5TJ-2530S-80	E - 7		E - 8
5BE-18172-00	D - 3	5XC-21719-90	D - 7	5UN-22212-60	F - 7	5TJ-2316A-E0	D - 13	5ET-25311-00	E - 6	3JD-25917-00	E - 5
3XJ-18173-10	D - 3	5UM-21721-E0	D - 7	5UN-22212-70	F - 7	5UM-2316A-F0	D - 13	5ET-25317-00	E - 6		E - 8
3XJ-18178-00	D - 3	2S2-2172A-70	D - 7	3SP-22213-00	D - 10	5UM-23170-E0	D - 13	4XM-25364-00	E - 6	5DH-25919-00	E - 5
3XJ-18182-00	D - 3	2S2-2172A-80	D - 7	5XE-22214-00	D - 10	5XE-23171-L0	D - 13	1C3-25381-90	E - 7	5DH-25919-50	E - 8
3XJ-18184-00	D - 3	5UM-2172S-E0	D - 7	5MV-22224-00	D - 10	5DH-23183-00	D - 10	1C3-25388-50	E - 7	8CR-25924-00	E - 8
2S2-18185-00	D - 3	5UM-21730-E0	D - 7	4JX-22226-00	D - 10	509-23184-L0	D - 10	1C3-25389-00	E - 7	3SP-25926-51	E - 5
5NL-18501-00	D - 2	5TJ-2173E-30	D - 7	3SP-22234-00	D - 10	5TJ-2331E-80	D - 12	3JE-25394-00	E - 6	5DH-25933-00	E - 5
5NL-18502-00	D - 2	5TJ-2173F-30	D - 7	5NY-22241-00	D - 11	5UM-23340-L0	D - 14	4XM-25394-00	E - 6	1UY-25937-51	E - 5
5NL-18503-00	D - 2	5UM-2173S-E0	D - 7	5XE-22242-00	D - 10	3SP-23356-L0	D - 14	5SF-25394-00	E - 4		E - 8
5NL-18541-00	D - 2	5UM-21740-E0	D - 7	5MV-22253-00	D - 10	5XE-23364-00	F - 7	1C3-25448-00	E - 6	1C3-26111-90	E - 9
4UN-18542-00	D - 2	5UM-2174A-E0	D - 7	1C3-22253-50	D - 10	5TJ-23389-80	D - 12	5GS-25448-50	E - 6	5XC-26124-90	E - 9
5DH-18562-00	C - 7	5UM-2174T-E0	D - 6	4AA-22259-40	D - 10	5XE-23393-L0	D - 13	1C3-25449-00	E - 6	5XC-26143-90	E - 9
5UM-21101-E0	D - 4	5XC-21751-90	B - 11	4AA-22259-60	D - 10	5TJ-2339E-00	F - 2	1C3-25450-00	E - 6	5TJ-26240-C0	E - 9
5PA-2118K-00	D - 6	2TK-21757-00	B - 14	4AA-22259-80	D - 10	4EW-23416-00	D - 12	5TJ-25450-80	E - 6	4GY-26241-00	E - 9
5PA-2118K-10	D - 6	5TJ-21757-00	B - 14	1P8-22355-00	D - 8	5UM-23435-E0	D - 12	1C3-25451-00	E - 6	5BE-26281-00	E - 9
5UM-21190-E0	D - 4	4XV-2177L-01	B - 13	4EW-22474-00	D - 10	5XC-23441-90	D - 12	1C3-25452-00	E - 6	5BE-26282-00	E - 9
1C3-21244-10	E - 2	5UM-2179C-10	D - 5	3JE-22475-00	D - 10	5UM-23442-E0	D - 12	5TJ-25452-80	E - 6	5SF-26287-10	E - 9
5UM-21268-E0	D - 5	5UM-21860-E0	D - 7	5NY-22475-00	D - 10	1C3-23466-50	D - 14	5CG-25715-00	E - 10	5UM-26302-E0	E - 9
5XC-21288-90	D - 5	26H-21874-00	D - 7	5UN-22898-60	E - 8	1C3-23467-50	D - 14		E - 12	5UM-26334-E0	F - 4
5UM-21288-E0	F - 5	26H-21875-00	D - 7	1C3-22969-90	D - 8	5TJ-23525-C0	D - 14	1C3-25718-50	E - 8	5UM-26335-E0	E - 9
1C3-2135F-00	D - 9	2S2-22110-70	D - 8	5UM-23102-E0	D - 13	5UM-23591-E0	E - 15	1C3-2580T-00	E - 5	5HD-26337-00	F - 4
1C3-2139R-00	D - 9	5XC-22121-91	D - 9	5UM-23102-F0	D - 13	5UM-24110-E0	D - 15	1C3-2580W-70	E - 8	5TA-26339-00	F - 4
5UM-21417-E0	D - 5	1C3-22122-00	D - 9	5UM-23103-E0	D - 13	4EW-2412F-00	D - 15	2S2-2581T-70	E - 5	1C3-26342-50	E - 9
5UM-21418-E0	D - 5	2S2-22128-70	D - 8	5UM-23103-F0	D - 13	5XE-24144-00	D - 15	5UN-25827-60	E - 8	5NY-26372-00	E - 10
5UM-21425-E0	D - 4	1C3-22141-10	D - 8	5TJ-23110-C0	D - 13	3FB-2415E-01	D - 6	5UN-25828-60	E - 8	5TJ-26372-80	F - 4
5UM-21426-E0	D - 4	2S2-22151-70	D - 8	5XE-23111-L0	D - 13	3ME-2415E-01	D - 6	2S2-2582W-70	E - 8	5UM-27200-00	E - 11
5UM-21447-E0	D - 4	5UN-22176-00	D - 10	5UM-23113-E0	D - 12	3FB-2415E-11	D - 6	5MV-25833-00	E - 10	5UN-27217-00	E - 12
1C3-21448-10	D - 4	30X-22178-00	D - 4	5XE-23117-L0	D - 13	3PT-2416E-10	D - 6	1C3-2583V-00	E - 12	5XC-27217-90	E - 11
5UM-21455-E0	D - 5	3JD-22178-20	D - 4	5TJ-23120-C0	D - 13	5UM-24181-E0	D - 15	5DH-25849-00	E - 5	5UN-27218-00	E - 12
5XC-21456-90	D - 5	5XC-2217A-90	D - 8	5XE-23125-L0	D - 13	5XC-24182-90	D - 15	5MV-25852-01	E - 10	5UN-27222-00	E - 12

NUMERICAL INDEX

PART NO.	GRID NO.	PART NO.	GRID NO.	PART NO.	GRID NO.	PART NO.	GRID NO.	PART NO.	GRID NO.	PART NO.	GRID NO.
5UM-27311-E0	E - 11	5TJ-8375F-C0	E - 15	90105-06105	D - 8	90119-06147	D - 6	90201-082A6	B - 11	90387-06104	D - 12
5UM-27315-E0	E - 11	5TJ-83912-B0	F - 4		E - 5	90119-06166	D - 5	90201-08410	C - 3	90387-06150	B - 11
5UM-27411-E0	E - 11	1C3-83922-50	E - 10		E - 15	90119-08095	D - 7	90201-08512	B - 8	90387-06161	B - 11
5UM-27421-E0	E - 11	5TA-83941-00	F - 4	90105-06106	D - 6	90149-05162	F - 4	90201-096J9	B - 2	90387-08041	D - 4
1C3-27491-50	E - 8	5HD-83951-00	F - 4	90105-06107	C - 5	90149-06074	C - 7	90201-10032	E - 11	90387-08081	C - 6
5XC-28116-00	D - 5	5UM-83976-E0	F - 4		D - 12	90149-06084	B - 4	90201-10045	D - 4	90387-086N4	D - 4
5TA-2814F-00	D - 5	5UM-83976-F0	F - 4		D - 15	90149-06085	C - 7		E - 11	90387-1003G	E - 11
5ET-28166-10	D - 5	5LP-84126-10	F - 4		E - 8	90149-06108	D - 15	90201-104R2	C - 11	90387-124F4	D - 3
5UM-2831V-E0	D - 12	5UM-84310-E0	F - 2	90105-06108	E - 8	90149-06327	E - 5	90201-12020	E - 13	90387-14009	D - 9
3FV-28386-00	B - 14	5UM-84314-E0	F - 2	90105-06110	E - 8	90149-10031	D - 4	90201-12166	B - 10	90387-16010	D - 8
5UM-81410-20	E - 13	5UM-84330-E0	F - 2		E - 15	90151-04003	D - 8	90201-12790	B - 2	90387-18004	D - 8
5UM-81450-00	E - 13	5BF-84334-00	F - 2		F - 5	90152-06010	C - 10	90201-14020	D - 9	90387-18007	C - 7
5UM-81528-00	C - 9	5UM-84340-E0	F - 2	90105-06111	B - 9	90154-05022	F - 5	90201-15701	C - 8	90387-18012	D - 8
5UM-81801-10	E - 14	5UM-84710-E0	F - 3		D - 15	90157-04005	F - 2	90201-16018	D - 8	90387-20006	C - 14
5TJ-81828-01	E - 14	5UM-84716-E0	F - 3		E - 8	90159-06092	C - 12	90201-162H4	C - 10	90387-22001	C - 14
5UM-81828-10	E - 14	5UM-84736-E0	F - 3	90105-06112	B - 11	90170-14171	B - 4	90201-167P7	C - 10	90401-08006	B - 12
5UM-8183G-20	E - 14	5UM-84737-E0	F - 3	90105-06127	D - 6	90170-16326	C - 12	90201-177G4	C - 10	90401-10015	B - 12
5UM-81861-00	E - 14	5UM-85540-E0	F - 5	90105-06128	B - 11	90170-24003	D - 12	90201-20020	E - 7	90401-10172	E - 10
5UM-81890-10	E - 14	5UM-85540-F0	F - 5	90105-08133	D - 4	90179-06028	D - 8	90201-20021	C - 11		E - 12
5TJ-81940-12	F - 6	5UM-85546-E0	F - 5	90105-08134	D - 14	90179-08674	E - 7	90201-203L1	C - 11	90430-06014	B - 2
5UM-81950-E0	F - 6	5XC-85885-00	C - 4	90105-08137	C - 6	90179-10658	D - 4	90201-20685	C - 10		B - 8
5UM-81952-E0	F - 6	5NY-W0041-00	E - 10		E - 5	90179-12657	E - 13	90201-21014	D - 8	90430-08119	B - 12
5UM-81960-E0	F - 5	5UN-W0042-50	E - 12	90105-08143	D - 5	90179-16011	E - 4	90201-24016	D - 12	90430-10005	E - 10
4WA-81980-00	F - 5	5MV-W0045-01	E - 5	90105-08147	D - 4	90179-18001	C - 12	90201-286K9	D - 12		E - 12
5TJ-81980-00	F - 5	1C3-W0046-B0	E - 8	90105-08150	D - 4		C - 15	90202-05193	D - 15	90430-10188	B - 12
5UM-82100-09	F - 5	3JD-W0047-00	E - 5	90105-08151	B - 11	90179-28003	D - 12	90202-08045	B - 15		C - 7
5TJ-82115-00	F - 5	5UN-W0047-50	E - 8	90105-08154	D - 12	90183-060A6	B - 9	90206-06090	C - 6	90445-08027	C - 5
5UM-82116-E0	F - 6	1UY-W0048-50	E - 5	90105-08156	D - 4	90185-08008	E - 7	90209-16011	D - 8	90445-09220	D - 15
5SL-82119-10	F - 6		E - 8	90105-08307	C - 6	90185-08009	D - 4	90209-20008	C - 14	90445-09251	D - 15
8CY-82131-00	F - 5	5UN-W0057-00	E - 5		D - 4	90185-10012	D - 11	90209-23012	C - 14	90445-14010	B - 11
42X-82151-00	F - 6	5UN-W0057-50	E - 8	90105-09002	B - 2	90185-10018	E - 11	90215-14204	B - 4	90445-217G3	E - 11
5UM-82176-E0	F - 5	5XE-W2587-10	E - 10	90105-09004	B - 2	90185-14010	D - 9	90215-16289	C - 12	90450-17001	B - 11
5UL-82310-10	F - 5	90101-06041	D - 3	90105-10174	D - 4	90185-16002	D - 8	90215-20003	C - 12	90450-20078	C - 5
5UM-82510-E1	F - 6	90101-06044	C - 10	90105-10176	D - 5	90185-20002	E - 7		C - 15	90450-22001	B - 9
5TJ-82540-01	F - 5	90101-08006	E - 7	90105-10191	D - 4	90201-05021	E - 15	90240-08120	E - 11		B - 10
5TJ-82590-E0	F - 5	90105-05014	D - 5	90109-06034	F - 4	90201-06032	D - 6	90240-10004	E - 11	90450-25001	B - 9
5TJ-82590-F0	F - 5	90105-05016	D - 12	90109-060E9	C - 5	90201-06570	D - 15	90249-05004	B - 14	90450-32003	B - 9
5TJ-82911-80	F - 4	90105-06027	B - 2	90109-06193	D - 2	90201-06571	B - 9	90249-05005	B - 14	90450-57010	B - 13
5XD-82913-00	F - 4	90105-06064	D - 7	90109-067F4	B - 14		B - 11	90280-03006	B - 4	90450-61002	B - 13
5TJ-82917-02	F - 4		F - 2	90109-08078	E - 6		D - 6	90338-07043	B - 13	90464-11M18	F - 3
5XD-82946-00	F - 4	90105-06081	C - 7	90109-10026	E - 11	90201-06630	B - 11	90340-12007	B - 2	90464-13073	F - 5
5TJ-83500-E0	E - 15		C - 15	90110-05038	B - 13	90201-08043	D - 4	90340-14128	C - 8	90464-13077	F - 5
5TJ-83500-F0	E - 15	90105-06094	C - 9	90110-05041	C - 6	90201-08044	E - 11	90340-27002	C - 8	90464-15152	F - 5
5TJ-83500-G0	E - 15	90105-06098	C - 9	90110-06228	B - 12	90201-08045	D - 4	90387-06009	D - 6	90464-15195	F - 5
5UM-83519-E0	E - 15	90105-06100	D - 6	90110-08051	C - 10	90201-08048	C - 10	90387-06065	B - 9	90464-16061	F - 5
5UM-83595-E0	E - 15	90105-06103	D - 7	90111-06059	E - 12		E - 7		D - 15	90464-23041	F - 5
5TJ-83755-C0	E - 15	90105-06104	D - 8	90116-06038	B - 2	90201-08061	C - 6	90387-06090	D - 6	90465-10013	C - 7
5TJ-8375E-C0	E - 15	90105-06105	C - 5	90119-06146	D - 7	90201-080H1	C - 12		D - 15	90465-13152	F - 5

NUMERICAL INDEX

PART NO.	GRID NO.	PART NO.	GRID NO.	PART NO.	GRID NO.	PART NO.	GRID NO.	PART NO.	GRID NO.	PART NO.	GRID NO.
90465-13275	D - 15	91312-06100	C - 7	93210-19123	C - 8	9383B-13218	C - 14	97702-40010	E - 15		
	F - 5	91312-06110	C - 8	93210-196A4	C - 14	9383B-14222	C - 14		F - 3		
90467-07138	C - 5	91316-04012	B - 15	93210-21276	F - 5	94108-21015	E - 4	97702-50016	F - 3		
90467-09006	C - 5	91317-06030	B - 10	93210-25711	E - 14	94109-21009	E - 4	97702-50516	B - 13		
90467-090A2	B - 9	91402-20012	E - 11	93210-27370	C - 8	94110-18009	E - 6		F - 2		
	D - 7	91402-25015	E - 11	93210-47675	B - 12	94113-18015	E - 6	97702-60016	D - 6		
90467-100A1	D - 15	91808-16023	B - 2	93210-60426	C - 8	94211-18176	E - 6	98502-04010	C - 4		
90467-140A4	B - 2	91812-16001	C - 8	93300-60839	D - 4	94213-18012	E - 6	98502-05010	E - 12		
	C - 5	91A20-05140	B - 9	93306-00105	B - 8	94227-21101	E - 4	98502-05020	E - 9		
90467-16063	C - 5	92012-05008	C - 6	93306-00317	C - 14	94309-18146	E - 6	98502-06025	C - 7		
90467-17089	B - 2		E - 15	93306-00320	C - 14	94309-21161	E - 4	98702-06025	D - 15		
	B - 14	92012-05012	F - 4	93306-07202	E - 6	94416-21005	E - 4	98706-04012	E - 10		
	C - 5	92012-06010	B - 9	93306-20335	B - 4	94418-18006	E - 6	98980-06008	C - 6		
90468-16001	E - 11	92012-06012	E - 15	93306-20447	C - 14	94421-18005	E - 6	99001-08600	B - 10		
90480-10289	B - 11	92902-04100	C - 4	93306-20648	B - 4	94591-53114	B - 7	99002-04600	B - 14		
90480-12020	F - 2	92902-06600	B - 7	93306-27208	C - 14	94681-76021	E - 7	99009-12400	B - 10		
90480-14012	E - 15		E - 15	93306-27212	E - 6	94701-00410	B - 2	99009-16400	C - 10		
90480-14433	B - 11	92902-08200	D - 5	93306-90409	E - 4	94701-00411	B - 2	99009-17400	C - 10		
90480-15528	B - 9	92902-10200	D - 11	93306-90509	D - 2	95022-06008	F - 6	99009-22500	C - 8		
90480-18549	D - 15		D - 12	93310-42057	C - 11	95022-06010	B - 2	99009-45500	E - 6		
90501-043E0	B - 12	93101-14164	C - 8	93310-63238	B - 4		C - 13	99530-08012	B - 10		
90501-052G5	D - 3	93102-12106	B - 8	93311-32261	B - 4	95022-06012	B - 8		C - 11		
90501-06022	D - 2	93102-12224	C - 12	93315-32166	D - 8		B - 12	99530-08016	C - 8		
90501-120A3	F - 2		D - 3	93315-32269	D - 8	95022-06016	B - 10	99530-10114	B - 10		
90501-147A5	C - 10	93102-18278	C - 10	93317-11287	C - 12		C - 8		C - 7		
90501-160A2	C - 10	93102-26468	E - 4	93317-22262	D - 8	95022-06020	D - 3	99530-10116	C - 7		
90501-220A0	C - 12	93102-28010	C - 14	93332-00068	D - 12	95022-06025	B - 7	9Y58A-76113	E - 7		
90506-16007	E - 11	93105-47007	E - 15	93332-00081	D - 12		B - 8				
90506-30005	E - 11	93106-22002	D - 8	93340-21008	C - 12		B - 10				
90508-26561	D - 2	93106-30001	E - 6	93342-22217	D - 8		C - 8				
90508-28015	E - 11	93106-30045	E - 6	93410-20038	C - 10	95022-06030	C - 8				
90508-28018	E - 11	93109-11073	B - 8	93410-22039	C - 14	95022-06035	B - 3				
90508-291A8	D - 3	93109-22019	D - 9	93410-26067	C - 14		C - 8				
90508-30743	C - 10	93109-25001	D - 8	93420-16086	B - 4	95022-06040	C - 8				
91312-05012	C - 9	93109-28043	D - 8	93440-07149	B - 2	95022-06065	B - 8				
91312-05020	E - 13	93210-07003	B - 12	93440-07182	B - 8	95022-08040	D - 4				
91312-06012	B - 9	93210-07135	B - 12		C - 12	95022-10016	C - 7				
91312-06014	E - 13	93210-09008	B - 12	93440-10153	B - 2	95602-05100	F - 4				
91312-06016	B - 11	93210-09754	B - 11		B - 10	95602-10200	D - 11				
91312-06025	B - 10	93210-10197	B - 10	93440-41178	B - 7		D - 12				
	B - 12		C - 7	93503-08007	B - 12	95612-08620	B - 2				
	B - 13	93210-11073	E - 11	93507-32009	C - 10	95701-06500	E - 10				
	C - 11	93210-12759	B - 12	93511-32027	C - 12	95702-05500	E - 15				
	E - 14	93210-14369	B - 11	93603-16219	B - 10	95702-06500	B - 3				
91312-06045	C - 7		C - 8	93604-10011	B - 8		D - 14				
91312-06055	C - 7	93210-15414	B - 9	93608-33002	D - 3	95702-08500	C - 6				
91312-06065	B - 12	93210-16716	C - 8	93612-16254	B - 3	97002-05016	F - 4				
91312-06070	C - 7	93210-17570	C - 10		C - 7	97022-06016	B - 7				